

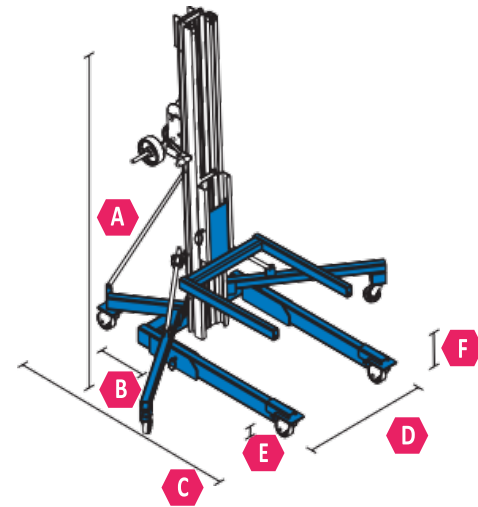
## INTRODUCTION

At HTC we provide a range of manually operated SLA Material Lifting machines with multiple base, winch and load handling options as well as a range of accessories to create just the lift you require. The compact and portable design makes these lifts ideal for use in construction, engineering, maintenance and entertainment sectors due to being able to roll through standard single doorways & easily loadable onto a pickup truck.

- Manually operated material lift
- Quickly set up, requires no tools
- Heavy duty design with patented telescoping mast system
- Rolls through doors in the upright position
- Glide rails allow one person to easily load & unload the unit
- Easy to load and unload on or off a vehicle for transport
- Standard forks supplied with the machine – accommodates a variety of general loads



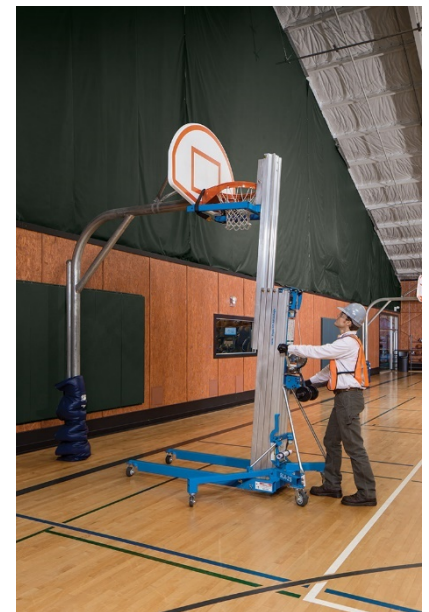
Models	SLA10	SLA15	SLA25
<b>Working Height</b>			
Standard forks – down	2.97 m	4.46m	7.42m
Standard forks – up	3.49 m	4.98m	7.94m
Adjustable forks – down	2.97 m	4.46m	7.42m
Adjustable forks – up	3.49 m	4.98m	7.94m
Flat forks	2.97 m	4.46m	N/A
Boom	3.28 m	4.76m	7.42m
Load platform** - Forks down	2.97 m	4.46m	7.42m
Load platform** - forks up	3.49 m	4.98m	7.94m
<b>A</b> Height – Stowed	2.0 m	2.0m	2.0m
<b>B</b> Length – Stowed	74 cm	74cm	79 cm
<b>C</b> Length – operating	1.51 m	1.88m	2.08m
<b>D</b> Width-stowed*	80 cm	80cm	80cm
- with stabilizers lowered	1.85 m	1.85m	1.85m
Width – Straddle base*			
- minimum	80cm	80cm	N/A
- maximum	1.47 m	1.47m	N/A
- maximum inside	1.27 m	1.27m	N/A
<b>E</b> Ground Clearance – Center	5 cm	5cm	5cm
<b>F</b> Load height – minimum	15 cm	15cm	15cm
Front castors	10 cm	10cm	10cm
Rear castors	13 cm	13cm	13cm



Productivity	SLA10	SLA15	SLA25
<b>Load capacity</b>			
46 cm load center	454 kg	363 kg	295 kg
61 cm load center	454 kg	363 kg	204 kg
107 cm load center	181 kg	227 kg	113 kg

Power	SLA10	SLA15	SLA25
<b>Average Cranks</b>			
Standard Winch	27.8 cranks/m	27.8 cranks/m	27.8 cranks/m

Weight	SLA10	SLA15	SLA25
Standard	118 kg	151 kg	204 kg
Straddle Base	137 kg	163 kg	N/A



\* Outside Dimensions  
 \*\* For use with standard and adjustable forks only  
 \*\*\* Measured from ground to bottom of shackle  
 \*\*\*\* Length/width/depth

Load Handling Attachments		
Measurements	Metric	Weight – Metric
Standard forks (L x W x D)	69/58/6 cm	18 kg
Adjustable Forks (L x W x D)	70/30-76/6 cm	24 kg
Fork Extensions detached (each) (L x W x D)****	76/5/8 cm	2 kg
Fork Extensions Attached (each) (L x W x D)****	64/5/8 cm	2 kg
Flat Forks (L x W x D)****	81/41-79/3.8cm	36 kg
Boom (L x W x D)****	46 – 10/4/16.5 cm	18 kg
Load Platform (L x W x D)****	70 x 58 x 7 cm	14 kg

## Standard Features

### Measurements

#### SLA-10

- 3.49 m maximum lifting height
- Up to 454 kg load capacity

#### SLA-15

- 4.98 m maximum lifting height
- Up to 363 kg load capacity

#### SLA-25

- 7.94 maximum lifting height
- Up to 295 kg load capacity

### Productivity

- Captive stabilizer set (standard on SLA25, not available on straddle base)
- Rolls easily through single door in upright position
- Quick set up requires no tools
- Interchangeable load handling attachments
- Manoeuvrable castors
- Compact design, legs fold up for easy storage
- Roller wheels allow easy transport in stowed position
- Easy to load and unload on or off a vehicle for transport
- Hold down bar secures most assembly during transport

## Easily configured to meet your needs

### Productivity & Fork Options

- Standard forks
- Adjustable forks
- Fork extensions
- Flat forks (SLA10 and 15 only)
- Boom
- Pipe Cradle
- Load Platform

### Power Options

- One speed manual winch (standard)
- Two-speed manual winch

### Base Options

- Standard base
- Straddle base (SLA10 & 15 only)
- Standard mast brake
- Stabilizer set (standard on SLA25)

### Castors

- Front swivel castors, 10 cm, non-marking (standard)
- Rear swivel castors, 13 cm, non-marking (standard)
- 4-way swivel locks and side brakes (standard)

## Options & Accessories

### Productivity

- Adjustable forks
- Fork extensions
- Flat forks (SLA10 & 15 only)
- Boom
- Pipe Cradle
- Load platform
- Pneumatic rear transport wheel assembly
- Captive stabilizer set (option on SLA-10 and 15, not available on straddle base)

### Power

- Two-speed manual winch

