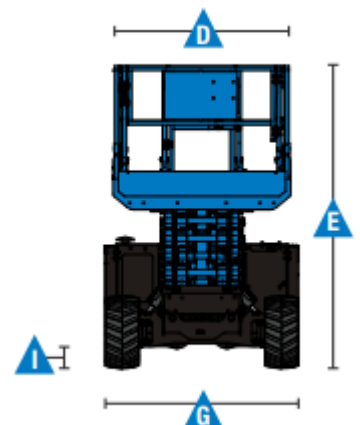
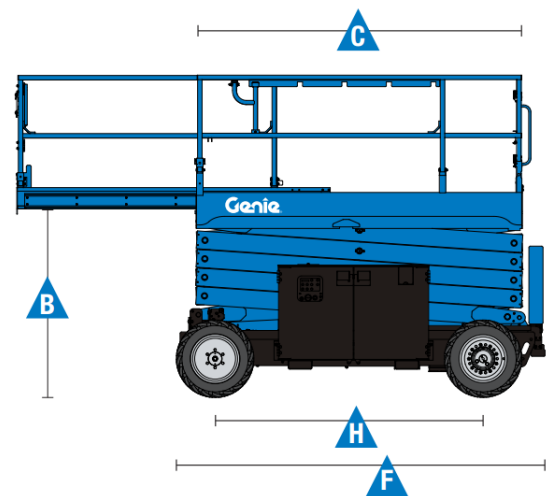
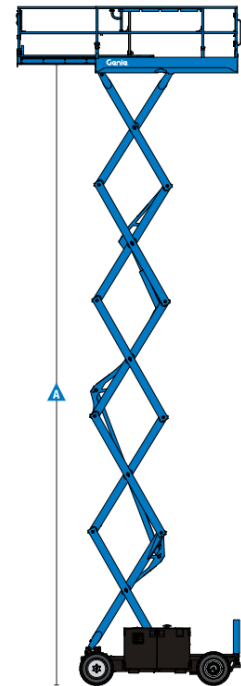


OPERATING DIMENSIONS	
Maximum Working Height	9.75 m
(A) Platform Height Maximum	7.9 m
(B) Platform Height Stowed	1.47 m
(C) Platform Length – Outside / Extended	2.79 m
Slide-out platform extension deck	4.32 m
(D) Platform Width – Outside	1.52 m
Toeboard Height	1.6 m
(E) Height – stowed:	2.59 m
Rails Lowered:	1.92 m
(F) Length – stowed	3.12 m
Length – Platform Extended	4.50 m
with outriggers	3.76 m
(G) Width	1.75 m
(H) Wheelbase	2.29 m
(I) Ground clearance – centre	0.24 m
<b>PRODUCTIVITY</b>	
Max Platform Occupancy	4
Lift capacity	680 kg
Extension deck capacity	136 kg
Drive speed – stowed	3.5 mph
Drive speed - raised	0.3 mph
Gradeability – stowe	40%
Maximum outrigger levelling:	
Front / back uphill	5.3° / 4.2°
Side to side	11.7°
Turning Radius – inside	2.11 m
Turning Radius – outside	4.60 m
Raise / lower speed	34 / 31 sec
Controls	Proportional
Drive	Four wheel
Tyres – solid non-marking	30 x 66 cm
<b>POWER, SOUND AND WEIGHT</b>	
Power Source	PSI (GM).998L Gas/LPG Kubota D-1105 Tier 4F Diesel 24.8 hp
Hydraulic System Capacity	68.1 L
Fuel Tank Capacity	37.9 L
Weight	3309 kg
With outriggers	4066 kg
Standards Compliance	ANSI A92.6, CSA B354.2, CE Compliance, AS 1418.10



### Standard Features

#### Measurements

- 9.75 m / 32 FT working height
- Up to 680 kg lifting capacity

#### Productivity

- Driveable at full height
- 2.79 x 1.6 m steel frame platform with replaceable aluminium diamond plate deck
- 1.52 m extension deck (ANSI)
- Folding guardrails
- Proportional lift and drive
- AC power to platform
- Full height swing gate
- Four wheel drive
- Four wheel braking
- Front oscillating axle
- Positive traction control
- Swing-out engine tray
- Foam-filled rough terrain tyres (eco fill)
- Tilt level sensor with audible alarm
- Descent alarm
- Horn
- Hour meter

#### Power

- 24.8 hp Kubota Tier 4d D1105 diesel

### Options & Accessories

#### Productivity

- Automatic levelling hydraulic outriggers
- Air line to platform
- Foam filled non-marking rough terrain tyres (30 x 66 cm)
- Dual flashing beacons
- Motion alarm
- Biodegradeable hydraulic oil
- High float foam filled tyres

#### Power Options

- AC, 3000 Watt generator (110V / 60Hz) or (240 V / 50 Hz), (Includes hydraulic oil cooler)
- Cold weather package
- PSI (GM) .998L Dual Fuel with LPG tank

