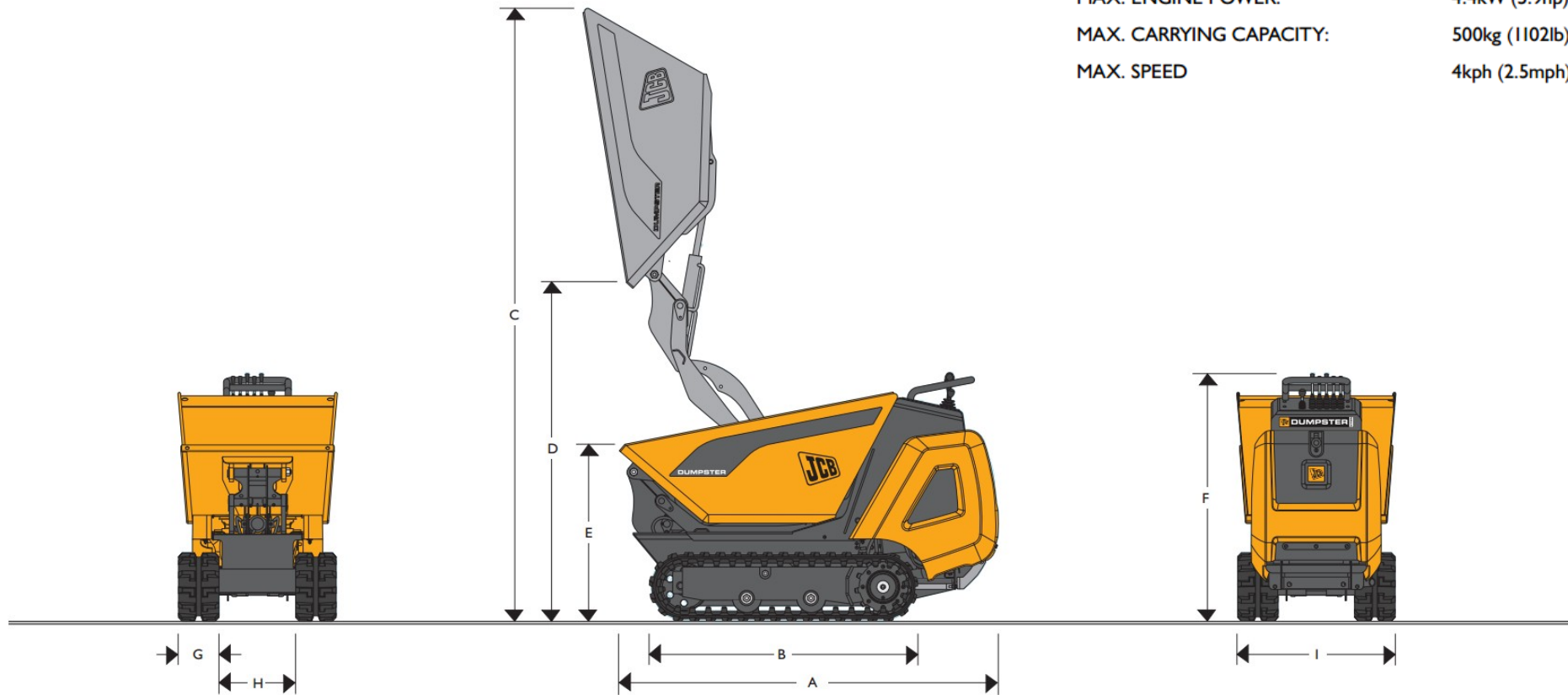


**MAX. ENGINE POWER:** 4.4kW (5.9hp)  
**MAX. CARRYING CAPACITY:** 500kg (1102lb)  
**MAX. SPEED** 4kph (2.5mph)



## Static Dimensions

Machine model	HTD5
	mm (ft-in)
A Machine length (operating position)	1700 (5-6)
B Undercarriage length	850 (2-9)
C Maximum height (tipping position)	2720 (9-0)
D Skip ground clearance (tipping position)	1450 (4-9)
E Skip height (transport position)	800 (2-7)

Machine model	HTD5
	mm (ft-in)
F Overall height (transport position)	1100 (3-7)
G Track width	180 (0-7)
H Inside track width	330 (1-0)
I Maximum machine width	690 (2-3)

## Weights & Capacities

Machine weight	kg (lb)	475 (1047)
Max. carrying capacity	kg (lb)	500 (1102)
Max. operating weight (with load)	kg (lb)	975 (2150)
Fuel tank capacity	litres (in <sup>3</sup> )	4.3 (262)
Hydraulic tank capacity	litres (in <sup>3</sup> )	14 (854)

## Engine (Diesel)

Max. power	kW (hp)	4.4 (5.9)
Max. rpm		3000
Number of cylinders		1
Displacement	cm <sup>3</sup> (in <sup>3</sup> )	349 (21)

## Hydraulics

Pump number		3
Pump output	l/min (gal/min)	27 (6)
Operating pressure	bar	150

## Transmission

Type – 2 speed hydrostatic

## Undercarriage

Number of bottom rollers		2
Track tensioning		Grease
Speed range	kph (mph)	0 – 4 (0 – 2.5)

## Standard & Optional Equipment

0.3m <sup>3</sup> (0.4yd <sup>3</sup> ) skip	Std
2 speed tracking	Std
Manual pull start	Std
Electric start	Opt