

BOMAG

TANDEM VIBRATORY ROLLER BW 120 AD-5 PERFORMANCE DATA



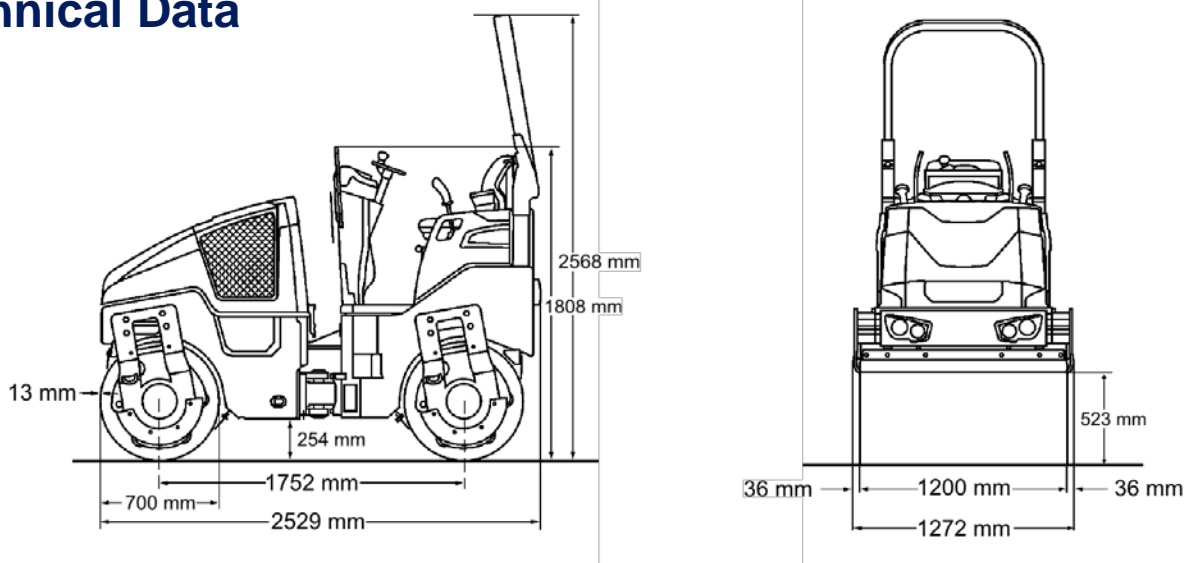
Shipping Dimensions	Without ROPS	With ROPS
BW 120 AD-5	5816 m ³	8261 m ³

Machine Type	Compaction output (t/h) at recommended soil layer thickness		
	Gravel, Sand	Mixed soil	Silt, clay
BW 120 AD-5	85-170	65-125	43-85

Machine Type	Compaction Output (t/h) at different asphalt layer thicknesses		
	2-4cm	6-8cm	10-12cm
BW 120 AD-5	20-45	40-70	70-120

BOMAG

Technical Data



Machine Specifications	Standard
Operating Weight w. ROPS CECE	2700 kg
Average static linear load CECE	11,3 kg/cm
Grossweight	3500 kg

Dimensions	
Working Width	1200 mm
Track Radius, Inner	2450 mm

Driving Characteristics	
Speed	0 – 10 km/h / 0 – 6.21 mph
Working speed with vibration	0 – 10 km/h / 0 – 6.21 mph
Max. Gradeability without/with vbr	40/30 %

Drive	
Engine Manufacturer	Kubota
Type	D1803
Emission Stage	4/4
Cooling	Water
Number of Cylinders	3
Performance ISO 14396	24.6 kW
Performance SAE J 1995	33 hp
Speed	2.600 min ⁻¹
Speed Adjustment 1	2.500 min ⁻¹
Speed Adjustment 2	2.600 min ⁻¹
Electric Equipment	12 V
Driven Drum	Front + rear

Brakes	Standard
Service Brake	Hydrost.
Parking Brake	Hydromec.

Steering	
Steering System	Oscil.artic
Steering Method	Hydrost
Steering Angle / Oscillating Angle +/-	32/10 grad
Crab Walk	0-50

Exciter System	
Vibrating Drum	Front + Rear
Drive System	Hydrost.
Frequency	63/67 Hz
Amplitude	0.50 mm
Centrifugal Force	30/34 kN

Sprinkler System	
Type of sprinkling	Pressure

Capacities	
Fuel	35 L
Water	205 L