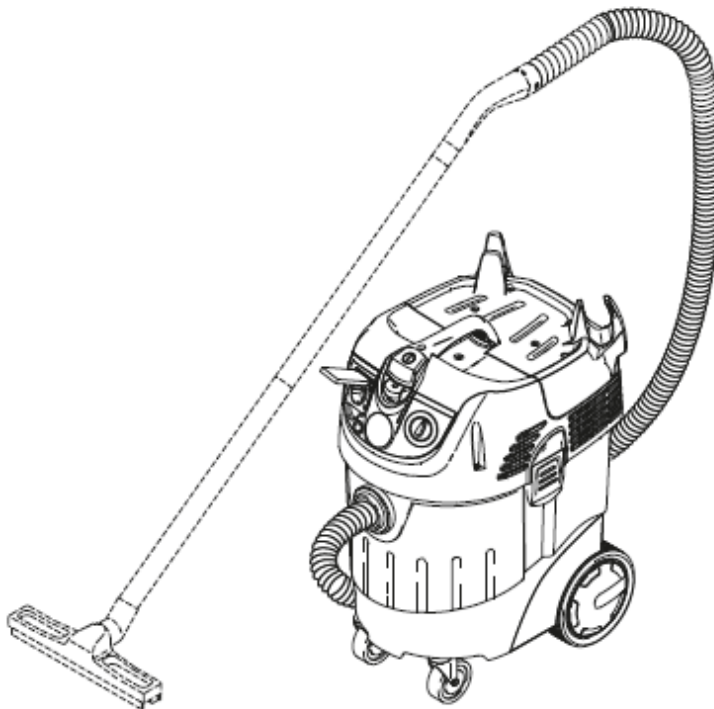


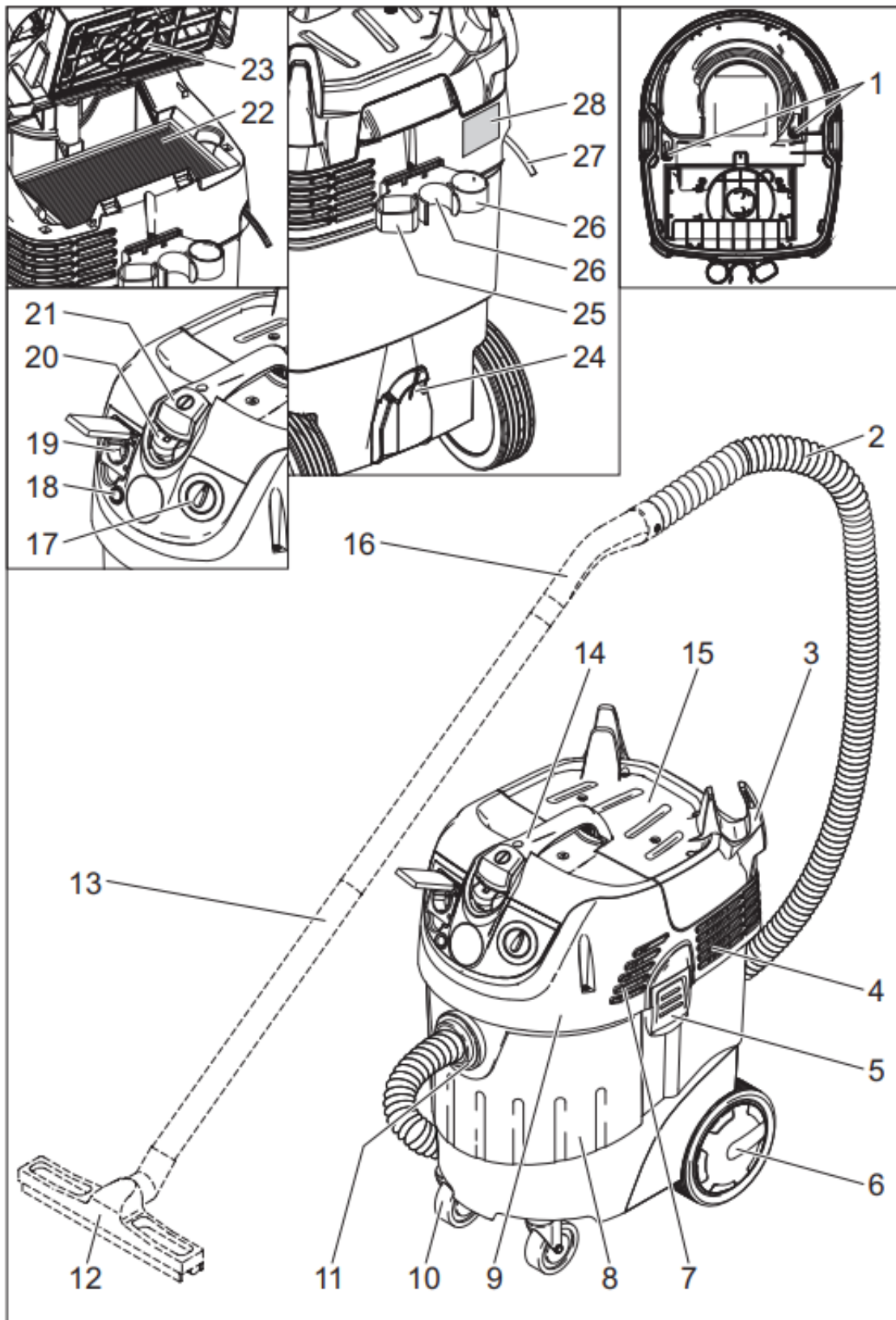
# FLEX

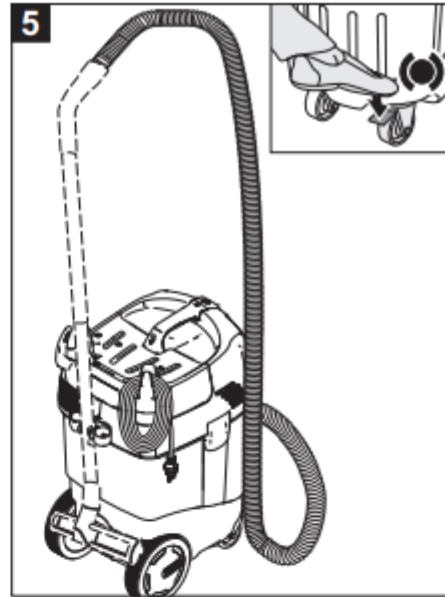
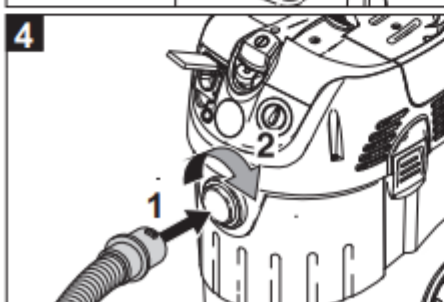
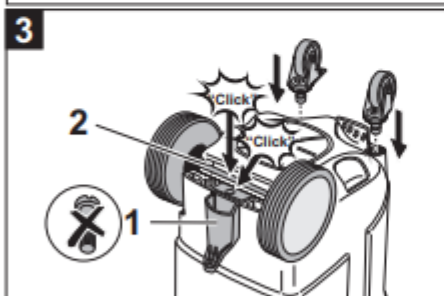
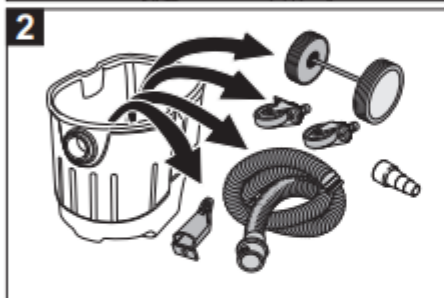
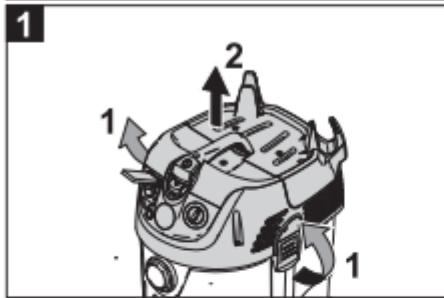
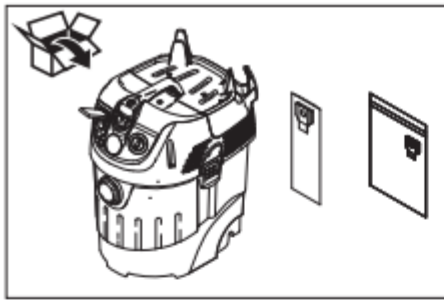
## VCE 35 L AC

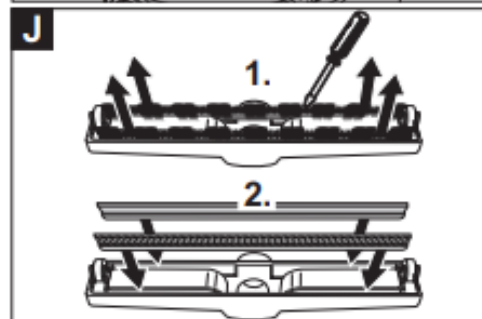
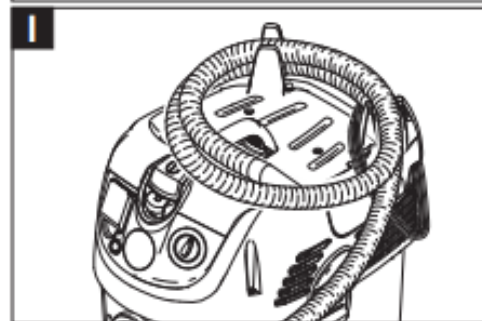
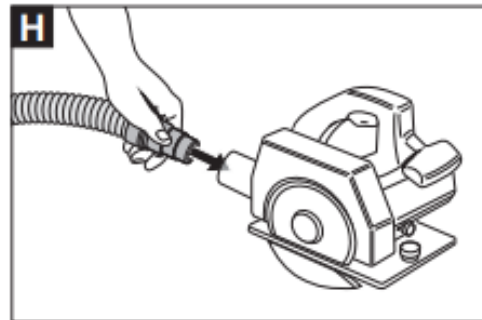
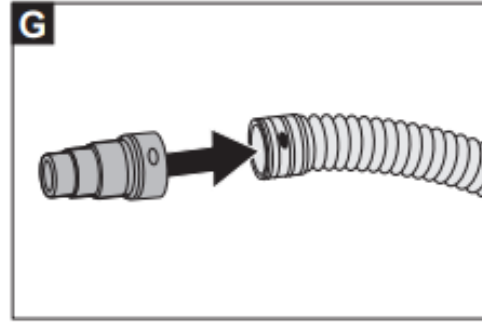
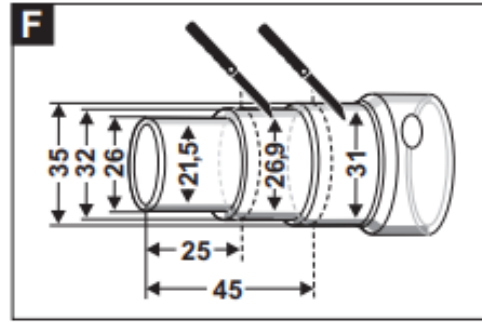
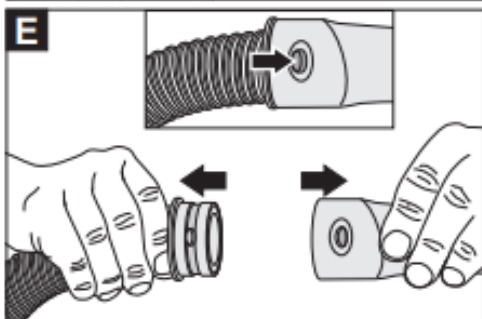
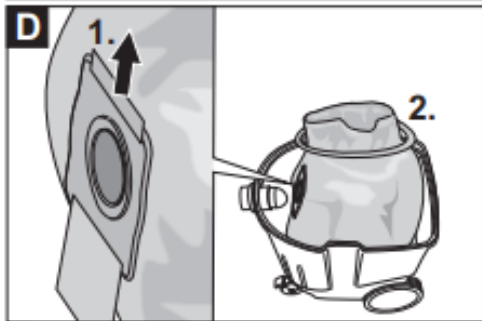
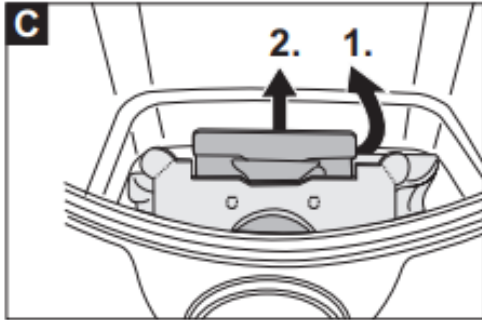
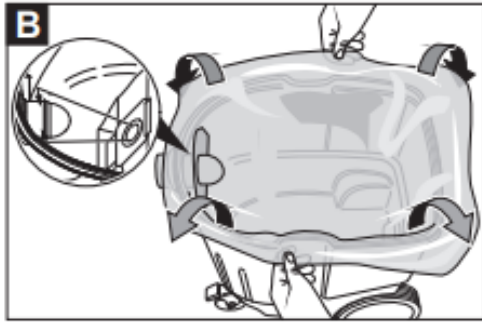
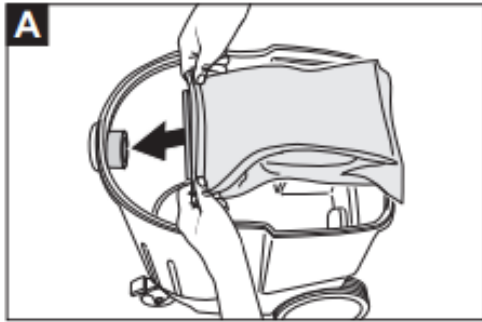
## VCE 45 L AC





Deutsch	6
English	15
Français	24
Italiano	33
Nederlands	42
Español	51
Português	60
Dansk	69
Norsk	77
Svenska	85
Suomi	93
Ελληνικά	102
Türkçe	112
Русский	121
Magyar	132
Čeština	141
Slovenščina	150
Polski	158
Românește	167
Slovenčina	176
Hrvatski	185
Srpski	194
Български	203
Eesti	213
Latviešu	221
Lietuviškai	230
Українська	238









  Please read and comply with these original instructions prior to the initial operation of your appliance and store them for later use or subsequent owners.

- Before first start-up it is definitely necessary to read the safety indications Nr. 5.956-249!
- The non-compliance of the operating and safety instructions may lead to damages of the appliance and to dangers for the operator and other persons.
- In case of transport damage inform vendor immediately

## Contents

Environmental protection	EN -	1
Symbols in the operating instructions	EN -	1
Proper use	EN -	1
Device elements	EN -	2
Symbols on the machine	EN -	2
Safety instructions	EN -	2
Start up	EN -	3
Operation	EN -	4
Transport	EN -	5
Storage	EN -	5
Maintenance and care	EN -	5
Troubleshooting	EN -	6
Disposal	EN -	7
Warranty	EN -	7
Accessories and Spare Parts	EN -	7
CE declaration	EN -	8
Technical specifications	EN -	9

## Environmental protection



The packaging material can be recycled. Please do not throw the packaging material into household waste; please send it for recycling.



Old appliances contain valuable materials that can be recycled; these should be sent for recycling. Batteries, oil, and similar substances must not enter the environment. Please dispose of your old appliances using appropriate collection systems.

## Symbols in the operating instructions

### **Danger**

*Immediate danger that can cause severe injury or even death.*

### **Warning**

*Possible hazardous situation that could lead to severe injury or even death.*

### **Caution**

*Possible hazardous situation that could lead to mild injury to persons or damage to property.*

## Proper use

### **Warning**

*The appliance is suited for the extraction of dry, non-combustible, harmful dusts on machines and appliances; dust class L according to EN 60 335-2-69. Restriction: No carcinogenic substances may be vacuumed up.*

- The machine is meant for dry and wet cleaning of floors and walls.
- This appliance is suited for the commercial use, e.g. in hotels, schools, hospitals, factories, shops, offices, and rental companies.




### Device elements

- 1 Electrodes
- 2 Suction hose
- 3 Cable hook
- 4 Air outlet, working air
- 5 Suction head lock
- 6 Impeller
- 7 Air inlet, motor cooling air
- 8 Dirt receptacle
- 9 Suction head
- 10 Steering roller
- 11 Suction support
- 12 Floor nozzle (not included in the delivery)
- 13 Suction pipe (not included in the delivery)
- 14 Carrying handle
- 15 Filter cover
- 16 Elbow (not included in the delivery)
- 17 Rotary switch for suction output (min-max)
- 18 Indicator lamp
- 19 Socket
- 20 Automatic filter dedusting
- 21 Main switch
- 22 Flat fold filter
- 23 Filter dedusting
- 24 Floor nozzle holder
- 25 Holder for crevice nozzle
- 26 Holder for suction pipes
- 27 Power cord
- 28 Nameplate

### Symbols on the machine



**WARNING:** This appliance contains harmful dust. The emptying and maintenance, including the removal of the dust bag, may only be executed by trained personnel wearing suitable protection equipment. Do not switch on until the complete filter system has been installed.

	Flat fold filter
	Paper filter bag
	Dust disposal bag

**Note:** The spare parts numbers are listed in the appendix.

### Safety instructions

#### **Warning**

- When the outgoing air is carried back into the room, a sufficient ventilation rate  $L$  in the room must be ensured. To comply with the required limit values the carried back volume flow must be 50% of the fresh air volume flow (room volume  $V_R$  x ventilation rate  $L_w$ ) at maximum. Without a specific ventilation system the following applies:  $L_w = 1h^{-1}$ .
- Only persons trained in the use of the machine and the handling of substances for which the machine is to be used including training in the safe disposal of the sucked-in material may use the machine.
- This appliance contains harmful dust. Evacuation and maintenance work, including the disposal of the dust collection containers, may only be performed by specialists who wear the appropriate protective equipment.
- Do not use the appliance without the complete filtering system.
- Please follow the safety regulations applicable to the materials that are to be treated.

## Start up

The appliance allows 2 operating modes:

- 1 Industry vacuum cleaner mode (socket not used)
  - 2 Dedusting mode (socket used)
- Connect the suction hose and insert into the suction nozzle or connect to the dust-generating device depending on the operating mode.

### **⚠ Warning**

*Do not vacuum without the filter elements; otherwise, the suction motor can get damaged and this can be hazardous to health on account of increased release of fine dust particles.*

### Anti-static system

Static charge is deflected by providing earthing to the connection nozzles. This prevents the formation of sparks and current shocks with attachments with electrostatically grounded accessories included in the delivery.

### Dry vacuum cleaning

- The appliance is equipped with a paper filter bag with a locking slide, VCE 35 - order no. 296.961 (5 pc) or VCE 45 - order no. 340.758 (5 pc).
- The appliance is equipped with a disposal bag with locking slide and locking strip, order no. 340.766 (10 pc).

**Note:** You can use this appliance to vacuum all types of dust up to dust class L. It is statutorily necessary to use a dust collection bag (see Filter systems for order number).

**Note:** The appliance is suited as industrial vacuum cleaner and as dedusting device for the mobile operation to take up dry, non-combustible dusts with MAK values greater than or equal to 1 mg/m<sup>3</sup>.

### Caution

*The flat pleated filter must always be in place while vacuuming.*

- To suck fine dust, you can also use an additional paper filter bag or disposal bag.

### Inserting the paper filter bag

Illustration **A**

- Release and remove the suction head.
- Insert the paper filter bag.
- Insert and lock the suction head.

### Installing the dust disposal bag

Illustration **B**

- Release and remove the suction head.
- Attach disposal bag.
- Pull disposal bag over the container.
- Insert and lock the suction head.

### Wet vacuum cleaning

#### **⚠ Warning**

*No dusts hazardous to health should be sucked in during wet vacuuming.*

#### Remove the paper filter bag

Illustration **C**

- Release and remove the suction head.
- Pull the paper filter bag out towards the rear.
- Pull the locking slide up and seal the paper filter bag tightly when removing it.
- Dispose of the used paper filter bag according to the local provisions.
- Insert and lock the suction head.
- To suck wet dirt, first remove the paper filter bag.

#### Removing the dust disposal bag

Illustration **D**

- Release and remove the suction head.
- Put the disposal bag over.
- Pull the opening of the disposal bag out toward the back over the suction support and seal it tightly.
- Tightly seal the disposal bag with closure strips underneath the opening.
- Remove disposal bag.
- Dispose of the used disposal bag according to the local provisions.
- Insert and lock the suction head.
- To suck wet dirt, always remove the disposal bag.




## General

### Caution

*The flat pleated filter must always be in place while vacuuming.*

- If wet dirt is vacuumed with the upholstery or crevice nozzle (option) or if water is sucked up from a container it is recommended to deactivate the "automatic filter dedusting" function.
- If the maximum liquid level is reached the appliance will turn off automatically.
- **In case of non-conductive liquids (such as emulsion drilling fluids, oils, and greases) the appliance is not turned off when the container is full. The filling level must be continuously monitored and the container must be emptied in time.**
- After the wet vacuuming: Clean the flat folded filter with the filter cleaning. Clean the electrodes with a brush. Clean the container with a damp rag and dry it.

### Clip connection

Illustration 

The suction hose is equipped with a clip system. All C-35/C-DN-35 accessories can be connected.

## Operation

### Turning on the Appliance

- ➔ Plug in the main plug.
- ➔ Switch on the appliance at the main switch.

### Adjust the suction output

- ➔ Set the suction output (min - max) at the rotary switch.

### Working with electrical power tools

#### **Danger**

*Risk of injury and damage! The socket outlet is only for the connection of power tools to the vacuum cleaner. Any other use of the socket outlet is not permitted.*


- ➔ Connect the mains plug of the electric power tool to the vacuum cleaner.
- ➔ Switch on the appliance at the main switch.

Indicator lamp is on; vacuum cleaner is in the standby mode.


**Note:** The vacuum cleaner is turned on and off automatically with the electric power tool.

**Note:** The vacuum cleaner starts automatically within 0.5 seconds and continues to run for 15 seconds after the power tool has been switched off.


**Note:** Please refer to "Technical specifications" for the power connection specifications of the power tools.

Illustration 

- ➔ Adjust the stepped power tool adaptor to fit the connection of the electric power tool.

Illustration 

- ➔ Attach the stepped power tool adaptor to the suction hose.

Illustration 

- ➔ Connect the adaptor to the electric power tool.

### Automatic filter cleaning

The appliance has an innovative filter cleaning system that is particularly effective with fine dust. The flat pleated filter is automatically cleaned every 15 seconds through an air jet (pulsating sound).

**Note:** Automatic filter dedusting is switched on at the factory.

**Note:** The automatic filter dedusting function can only be switched on/ off when the appliance is switched on.

- To switch off automatic filter cleaning:
  - ➔ Activate the switch. Indicator lamp in the switch goes off.
- To switch on automatic filter cleaning:
  - ➔ Press the switch again. Indicator lamp in the switch glows green.

### Turn off the appliance.

- ➔ Switch off the appliance at the main switch.
- ➔ Pull out the mains plug.



### After each operation

- Empty the container.
- Vacuum and wipe the appliance inside and outside with a damp cloth.

### Storing the Appliance

Illustration ■

- Store the suction hose and the mains cable as shown in the illustration.
- Place the appliance in a dry room and secure it from unauthorized use.

## Transport

### Caution

*Risk of injury and damage! Observe the weight of the appliance when you transport it.*

- Remove the suction pipe with the floor nozzle from the holder. Hold the appliance at the handle and at the suction pipe to transport it.
- When transporting in vehicles, secure the appliance according to the guidelines from slipping and tipping over.

## Storage

### Caution

*Risk of injury and damage! Note the weight of the appliance in case of storage.*

This appliance must only be stored in interior rooms.

## Maintenance and care

### ⚠ Danger

*First pull out the plug from the mains before carrying out any tasks on the machine.*

Dust extracting machines are safeguards for the prevention or elimination of hazards defined in the regulations of BGV A1.

- In order to carry out maintenance work, the user must disassemble, clean and service the unit, in so far as this is possible without endangering maintenance personnel and other persons. Suitable precautions include decontamination before the unit is disassembled. Precautions must be taken for local filtered

forced air ventilation at the place where the unit is disassembled, the cleaning of the maintenance surface and suitable protection of the personnel.

- The outside of the unit should be cleaned thoroughly and any harmful substances removed. Alternatively, a sealed coating may be applied before the unit is removed from the danger area. All unit parts are to be considered contaminated when they are removed from the danger area.
- In the framework of maintenance and repair work all contaminated objects that cannot be cleaned satisfactorily must be disposed of. Such objects must be disposed of in impermeable bags in accordance with the valid provisions for the disposal of such waste.

### ⚠ Warning

*Safety equipment for preventing hazards must be serviced and maintained regularly. This means that the manufacturer's staff or persons trained by the manufacturer must check the equipment for proper functioning at least once a year, i.e. check for leaks, filter damage, functioning of the controlling elements, etc.*

### Caution

*Risk of damage! Do not use detergents containing silicone to clean.*

- No outside help is required for carrying out basic maintenance and cleaning.
- The appliance surface and the inside of the container should be cleaned regularly using a damp cloth.


### ⚠ Warning

*Risk due to dust hazardous to health. Always use disposal clothing and P2 or higher breath-safe masks while carrying out maintenance tasks (such as changing filters).*

### Exchanging the flat pleated filter


- Open filter door.
- Take out the flat folded filter.
- Dispose off the used flat-folded filter in a dust-tight bag according to the statutory provisions.
- Remove the dirt that has accumulated on the pure air side.
- Insert new flat-folded filter.
- Close the filter door, it must lock into place.

### Exchanging the paper filter bag

Illustration 

- Release and remove the suction head.
- Pull the paper filter bag out towards the rear.
- Pull the locking slide up and seal the paper filter bag tightly when removing it.
- Dispose of the used paper filter bag according to the local provisions.
- Insert the new paper filter bag.
- Insert and lock the suction head.

### Replace the disposal bag

Illustration 

- Release and remove the suction head.
- Put the disposal bag over.
- Pull the opening of the disposal bag out toward the back over the suction support and seal it tightly.
- Tightly seal the disposal bag with closure strips underneath the opening.
- Remove disposal bag.
- Dispose of the used disposal bag according to the local provisions.
- Attach the new disposal bag.
- Pull disposal bag over the container.
- Insert and lock the suction head.

### Cleaning the electrodes

- Release and remove the suction head.
- Clean the electrodes with a brush.
- Insert and lock the suction head.

## Troubleshooting

### **Danger**

*First pull out the plug from the mains before carrying out any tasks on the machine.*

**Note:** In case of a failure (e.g. filter breakage) the appliance must be turned off immediately. The failure must be remedied before the appliance is put into operation again.

### Suction turbine does not run

- Check cables, plugs, fuse, socket and electrodes.
- Turn on the appliance.

### Suction turbine turns off

- Empty the container.

### Suction turbine does not start again after the container has been emptied

- Turn off the appliance and wait for 5 seconds, turn it on again after 5 seconds.
- Clean the electrodes as well as the space between the electrodes with a brush.

### Suction capacity decreases

- Remove blockages in the suction nozzle, suction tube, suction hose, or flat pleated filter.
- Replace the full paper filter bag.
- Replace the filled disposal bag
- Ensure the filter cover properly locks into place.
- Replace the flat pleated filter.

### Dust comes out while vacuuming

- Check for proper installation of the flat pleated filter.
- Replace the flat pleated filter.

**Automatic shut-off (wet vacuum cleaning) does not react**

- Clean the electrodes as well as the space between the electrodes with a brush.
- Continuously check the filling level in case of non-conductive liquid.

**Automatic filter cleaning is not working**

- Suction hose is not connected.

**Automatic filter cleaning cannot be switched off**

- Inform Customer Service

**Automatic filter cleaning cannot be switched on**

- Inform Customer Service

**Disposal**

At the end of its lifetime the appliance is to be disposed of according to the statutory provisions.

**Warranty**

The warranty terms published by the relevant sales company are applicable in each country. We will repair potential failures of your appliance within the warranty period free of charge, provided that such failure is caused by faulty material or defects in manufacturing. In the event of a warranty claim please contact your dealer or the nearest authorized Customer Service centre. Please submit the proof of purchase.

**Accessories and Spare Parts**


- Only use accessories and spare parts which have been approved by the manufacturer. The exclusive use of original accessories and original spare parts ensures that the appliance can be operated safely and troublefree.
- At the end of the operating instructions you will find a selected list of spare parts that are often required.

**Cleaning kit**

Order No. 369,845

Name	Order No.	Piece
Elbow (plastic)	297.038	1
Suction pipe (metal)	300.691	2
Crevice nozzle	259.627	1
Floor nozzle	300.659	1

**Insert the rubber lips of the floor nozzle (wet vacuuming).**

Illustration 

- Remove the brush strips.
- Install the rubber lips.

**Note:** The structured side of the rubber lips must point outwards.

## CE declaration

We hereby declare that the machine described below complies with the relevant basic safety and health requirements of the EU Directives, both in its basic design and construction as well as in the version put into circulation by us. This declaration shall cease to be valid if the machine is modified without our prior approval.

**Product:** Wet and dry vacuum cleaner  
**Type:** VCE 35 L AC  
**Type:** VCE 45 L AC

### Relevant EU Directives

2006/42/EC (+2009/127/EC)  
2004/108/EC

### Applied harmonized standards

EN 55014-1: 2006  
EN 55014-2: 1997 + A1: 2001  
EN 60335-1  
EN 60335-2-69  
EN 61000-3-2: 2006 + A2: 2009  
EN 61000-3-3: 2008  
EN 62233: 2008

### Applied national standards

-

The undersigned act on behalf and under the power of attorney of the company management.

  
Guenter W. Severin  
Leiter Qualitätssicherung

  
Eckhard Rühle  
Leiter Entwicklung & Konstruktion

FLEX Elektrowerkzeuge GmbH  
Bahnhofstr. 15  
71711 Steinheim/Murr



### Technical specifications

		VCE 35 L AC	VCE 45 L AC
Mains voltage	V	220-240	220-240
Frequency	Hz	50/60	50/60
Max. performance	W	1380	1380
Rated power	W	1200	1200
Container capacity	l	34	43
Filling quantity (liquid)	l	19	30
Air volume (max.)	m <sup>3</sup> /h	140	140
Negative pressure (max.)	kPa (mbar)	22,0 (220)	22,0 (220)
Power connection data of the power tools	W	100-2200	100-2200
Protective class	--	I	I
Suction hose connection (C-DN/C-ID)	mm	35	35
Length x width x height	mm	520 x 380 x 580	520 x 380 x 695
Weight	kg	12,5	13,5
Max. ambient temperature	°C	+40	+40
<b>Values determined to EN 60335-2-69</b>			
Sound pressure level L <sub>pA</sub>	dB(A)	67	67
Uncertainty K <sub>pA</sub>	dB(A)	1	1
Hand-arm vibration value	m/s <sup>2</sup>	<2,5	<2,5
Uncertainty K	m/s <sup>2</sup>	0,2	0,2
<b>Power cord</b>	H07RN-F 3x1,5 mm <sup>2</sup>		
<b>VCE 35, VCE 45</b>	Part no.:	Cable length	
EUR	297.534	7.5 m	