



500 – 5000K  
WLL



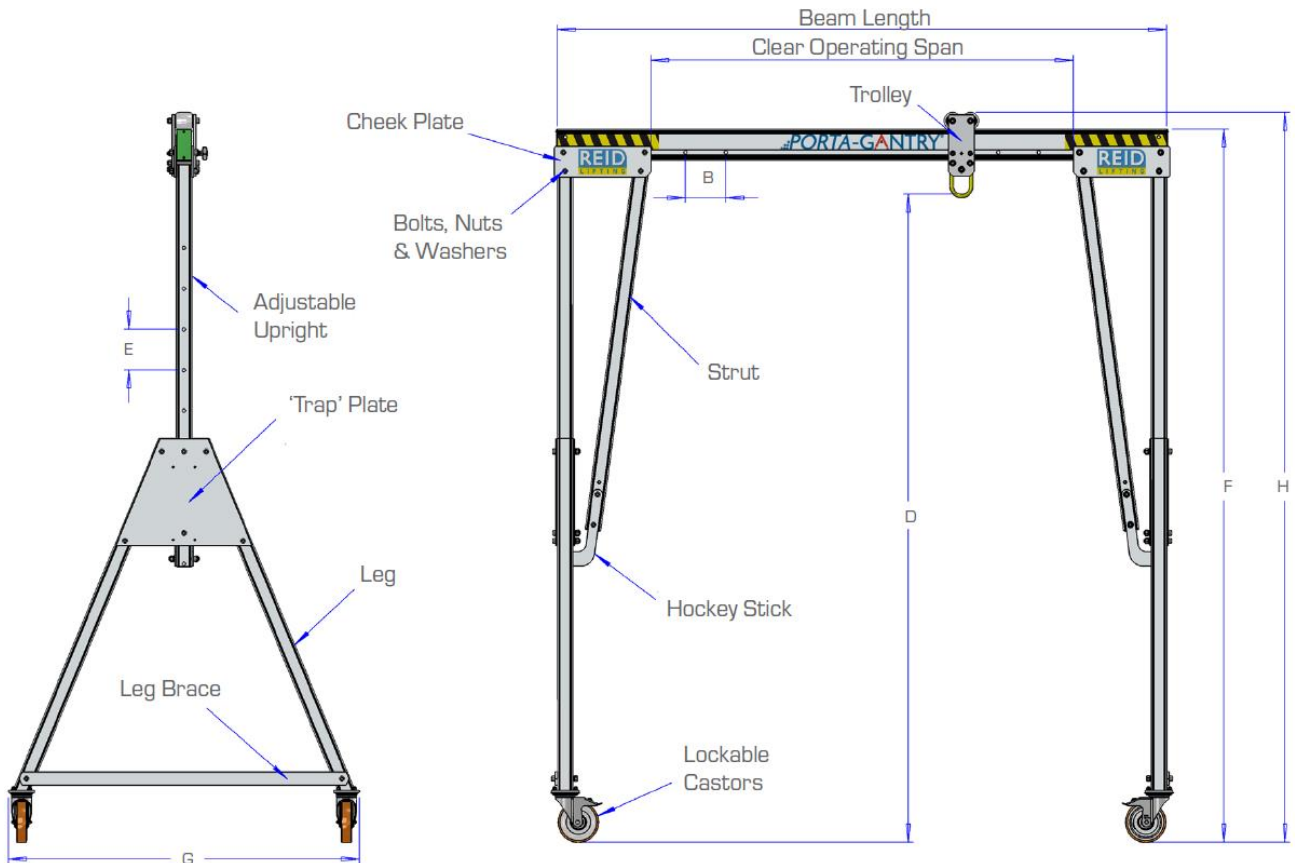
1-4 PEOPLE



EN795



92 – 294KG  
Flat Pack



### Standard Beam Lengths

- 2500mm
- 3000mm
- 3920mm
- 4570mm
- 5500mm
- 6000mm
- 8400mm (D section Max)
- 9000mm

### Each PORTA-GANTRY system comprises:

- 2 X A-Frames (or custom alternatives)
- Trolley – fully encapsulated for safety.
- Beam lengths up to 9000mm (WLL Dependent)
- Options and accessories to optimise your solution.

**NOTE:** Clear operating span = Beam Length – 920mm

### Beam height adjustment

The height of each gantry beam is easily adjusted by the release of 2 bolts on each upright and can be easily and safely raised into position by increments of 200 or 150mm. To assist with this activity a geared wheel or ratchet system is provided for the larger gantries; manual on smaller frames.

## PORTA-GANTRY Detailed Dimensions

WLL (kg)	Frame size	D <sub>max</sub>	E	D <sub>min</sub>	F	H <sub>max</sub>	H <sub>min</sub>	G	A-Frame Weight (kg)	Trolley roller size	Castor Diam
		Max height to lifting eye	Height increment	Min height to lifting eye	Max height to top of beam	Max height to top of roller	Min height to top of roller	Width			
500 / 1000	S	2355	5 x 150	1605	2675	2757	2007	1212	33	82	150
	M	2851	5 x 150	2101	3171	3253	2503	1429	40	82	150
	I	3188	5 x 200	2188	3499	3581	2581	1726	46	82	200
	T	4079	6 x 200	2879	4399	4481	3281	2011	51	82	200
	TC4	4527	6 x 200	3327	4847	4930	3730	2234	80	82	200
	TC3	5027	6 x 200	3827	5347	5430	4230	2557	82	82	200
	TC2	5527	8 x 200	3927	5848	5930	4330	2733	87	82	200
	TC1	5829	9 x 200	4029	6149	6231	4431	2733	95	82	200
2000	S	2355	5 x 150	1605	2675	2757	2007	1212	38	82	150
	M	2851	5 x 150	2101	3171	3253	2503	1429	40	82	150
	I	3188	5 x 200	2188	3499	3581	2581	1726	46	82	200
	T	4079	6 x 200	2879	4399	4481	3281	2011	51	82	200
	TC4	4527	6 x 200	3327	4847	4930	3730	2234	80	82	200
	TC3	5027	6 x 200	3827	5347	5430	4230	2557	82	82	200
	TC2	5527	8 x 200	3927	5848	5930	4330	2733	87	82	200
	TC1	5829	9 x 200	4029	6149	6231	4431	2733	95	82	200
3000	S	2410	5 x 150	1660	2730	2812	2062	1212	55	82	200
	M	2906	5 x 150	2156	3226	3308	2558	1429	60	82	200
	I	3188	5 x 200	2188	3499	3581	2581	1726	70	82	200
	T	4079	6 x 200	2879	4399	4481	3281	2011	82	82	200
	TC4	4527	6 x 200	3327	4847	4930	3730	2234	80	82	200
	TC3	5027	6 x 200	3827	5347	5430	4230	2557	82	82	200
	TC2	5527	8 x 200	3927	5848	5930	4330	2733	87	82	200
	TC1	5829	9 x 200	4029	6149	6231	4431	2733	95	82	200
5000	I	3181	5 x 200	2181	3592	3717	2717	1736	97*	125	200
	T	4049	6 x 200	2849	4487	4612	3412	2021	106*	125	200
	TC4	4500	6 x 200	3300	4938	5062	3862	2234	85	125	200
	TC3	5000	6 x 200	3800	5438	5562	4362	2557	90	125	200
S & M versions also available as custom systems											
WLL 5000kg dimensions systems are shown using the deeper 'D' section beam											

Beam lengths available up to 9000mm subject to WLL. For more information, please contact us.

Dimensions use standard Master Link Trolley, other options available to increase resulting height of lift (HoL) and to assist with load movement.

\* Weight includes stabiliser legs