

## Bluemax 950 Warehouse fan

### User Manual Version A



### Mobile fan for light industrial & commercial use

MODEL NO'S:

(FAN-950-230) BLUEMAX 950 230V SINGLE SPEED

(FAN-950-230-S) BLUEMAX 950 230V VARIABLE SPEED

(FAN-950-110) BLUEMAX 950 110V SINGLE SPEED



Manufactured in the UK by: Bison Products Ltd, 85 Bison Place, Moss Side Industrial Estate, Leyland. Lancashire. PR26 7QR

Tel: +44 (0)1772 456 191 email: [sales@bisonproductsltd.co.uk](mailto:sales@bisonproductsltd.co.uk)

[www.bisonproductsltd.co.uk](http://www.bisonproductsltd.co.uk)



**Thank you for purchasing a Bluemax 950 fan**

## **CONTENTS**

Page 2	Introduction
Page 3	Electrical connections
Page 3-4	General Safety
Page 4	Cleaning and Maintenance
Page 4	Operating Instructions
Page 5-6	Specification/ Technical data
Page 6	Trouble shooting
Page 7	Warranty
Page 8-9	Wiring
Page 10-12	Certification and Standards
Page 12	Recycling and disposal
Page 12	Product improvement
Page 13-16	Parts diagram and Parts lists
Page 17	Energy efficiency label

## **Bluemax 950 fan**

### **INTRODUCTION**

The Bluemax 950 fan is a portable fan suitable for a varied amount of applications. Before attempting to use this equipment and to avoid personal injury, carefully read and understand these instructions. If you are in any doubt about using this product, DO NOT use this equipment, contact your supplier for clarification.

To ensure years of trouble-free operation we advise that the product is regularly serviced and maintained by a qualified person.

NB: Please note that the Bluemax 950 comes in three different models. A Variable speed drive is incorporated in model FAN-950-230-S, see below for all models:

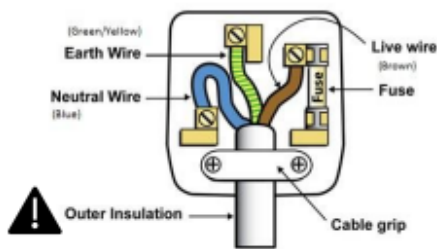


Model Number	Description	Weight	Unboxed Dimensions		
			L	W	H
FAN-950-230	Bluemax 950 230V Single Speed	82Kg	1100mm	565mm	1140mm
FAN-950-230-S	Bluemax 950 230V Variable Speed	83Kg	1100mm	565mm	1140mm
FAN-950-110	Bluemax 950 110V Single Speed	82Kg	1100mm	565mm	1140mm

**ELECTRICAL CONNECTIONS**

Before plugging the fan into the socket, check the following:

- Make sure your hands are dry
- The socket must have an earth connection
- The socket must be able to withstand the maximum power output indicated on the rating label
- The power cord must not be bent or crushed
- Do not use extension leads
- Do not use outdoors
- Do not change the plug for a lower rated specification



Both the Variable and single speed 230V fans are fitted with a 13amp BS1363/A approved plug and fuse. If your plug needs to be replaced it should be fitted with a plug with the same standard.

The 110V model will be fitted with a 32amp 110V BS EN 60309-2 plug and be wired according to the letters stamped on the plug: L = live (Brown), N = Neutral (Blue), E = Earth (Green/Yellow)

The power cord and plug should be inspected regularly for damage and should be replaced by the manufacturer or similarly qualified persons if necessary.

**General Safety**

THESE WARNINGS ARE GIVEN FOR SAFETY REASONS AND SHOULD BE FOLLOWED AT ALL TIMES

1. Ensure castors are locked before the fan is switched on as not doing so will result in the fan moving forcibly on its own
2. Never run the fan without grill guards

General Safety cont.

3. Unplug the machine before carrying out any maintenance work.
4. The fan should be free flowing, the air intake should never be obstructed.
5. IP rating is 21 making the unit suitable for indoor use.
6. Not suitable to be used with ducting.
7. Do not use in dusty environments.
8. Do not insert anything through the grill causing obstruction to the fan.
9. We recommend the use of an RCD.
10. Ear defenders should be worn when working in close proximity of the machine.
11. Not intended for use by children
12. Not designed for wall mounting
13. Do not move while the fan is switched on

Cleaning and Maintenance

Keeping your unit clean will ensure your fan is always working at its best! Any maintenance work should be done whilst the unit is unplugged from the mains supply. Carry out regular checks for the following:

1. Inspect the mains cable for any damage and have it replaced by a qualified person if necessary.
2. Check the grills, fan blades and inside the case for any build up of grime and if necessary, clean with a damp cloth using a mild detergent

Operating Instructions – Single Speed Model

1. Position the fan in the desired location taking account the safety precautions above
2. Ensure the switch is in the off position
3. Lock both swivel castors
4. Plug the unit into the power supply
5. Switch the rocker switch to the on position

Operating Instructions – Variable Speed Model

1. Position the fan in the desired location taking account the safety precautions above.
2. Ensure the switch is in the off position
3. Lock both swivel castors
4. Plug the unit in to the power supply
5. Switch the rocker switch to the on position
6. Increase the speed to the desired setting by rotating the knob in a clockwise direction

Specification and technical data

<b>BLUEMAX VARIABLE SPEED</b>	
Model FAN-950-230-S	
Frequency	50Hz
Input Voltage	230
Amps (Full speed)	6.52
Amps (Low speed)	12.5
Energy consumption - Full speed KW	1.5
Energy consumption - Low speed KW	1.12
Rpm (Full Speed)	1360
Rpm (Low Speed)	710
Noise levels (Full Speed) dB	95
Noise levels (Low Speed) dB	73
Optimum efficiency flow rate (m <sup>3</sup> /h)	24,386
Maximum flow rate (m <sup>3</sup> /h)	37,000
Maximum flow rate (cfm)	20,000
Static pressure (pst)	124.7
IP rating	21
Product weight (KG)	95
Efficiency at Optimum point on a scale from A+++ (low consumption) to D (high consumption)	A
Energy efficiency category	Static
Overall fan efficiency (n)	40
Fan type	Axial 5 blade
Capacitor	50uf 450v
Circuit breaker (amps)	15
Arctic grade cable dia (3 core blue BS6004:2012 + A1:2020)	1.5mm x 4m
Plug type	13amp BS1363/A

<b>BLUEMAX 230V SINGLE SPEED</b>	
Model FAN-950-230	
Frequency	50Hz
Input Voltage	230
Amps (Full speed)	6.52
Amps (Low speed)	n/a
Energy consumption - Full speed KW	1.5
Energy consumption - Low speed KW	n/a
Rpm (Full Speed)	1360
Rpm (Low Speed)	n/a
Noise levels (Full Speed) dB	95
Optimum efficiency flow rate (m <sup>3</sup> /h)	24,386
Maximum flow rate (m <sup>3</sup> /h)	37,000
Maximum flow rate (cfm)	20,000
Static pressure (pst)	124.7
IP rating	21
Product weight (KG)	95
Efficiency at Optimum point on a scale from A+++ (low consumption) to D (high consumption)	A
Energy efficiency category	Static
Overall fan efficiency (n)	40
Fan type	Axial 5 blade
Capacitor	50uf 450v
Circuit breaker (amps)	15
Arctic grade cable dia (3 core blue BS6004:2012 + A1:2020)	1.5mm x 4m
Plug type	13amp BS1363/A

BLUEMAX 110V SINGLE SPEED	
Model FAN-950-110	
Frequency	50Hz
Input Voltage	110
Amps (Full speed)	13.64
Amps (Low speed)	n/a
Energy consumption - Full speed KW	1.5
Energy consumption - Low speed KW	n/a
Rpm (Full Speed)	1360
Rpm (Low Speed)	n/a
Noise levels (Full Speed) dB	95
Optimum efficiency flow rate (m <sup>3</sup> /h)	24,386
Maximum flow rate (m <sup>3</sup> /h)	37,000
Maximum flow rate (cfm)	20,000
Static pressure (pst)	124.7
IP rating	21
Product weight (KG)	95
Efficiency at Optimum point on a scale from A+++ (low consumption) to D (high consumption)	A
Energy efficiency category	Static
Overall fan efficiency (n)	40
Fan type	Axial 5 blade
Capacitor	140uf 250v
Circuit breaker (amps)	30
Arctic grade cable dia (3 core blue BS6004:2012 + A1:2020)	2.5mm x 4m
Plug type	IEC 60309-2

**Trouble shooting**

In the event of the fan not starting please check the following:

1. Mains supply power cut
2. Mains fuses has tripped out
3. Ensure the plug has been fully inserted into the socket
4. All models are fitted with a thermal current trip located on the side of the machine behind the wheel, check if this has been triggered and push to reset if necessary
5. Eliminate the socket you are using
6. Check the plug fuse
7. There is a fuse in the speed control unit, this should be checked by a qualified electrician
8. Failure for any of the above points resolving a problem, we recommend you consult a qualified electrician for further testing

#### Warranty

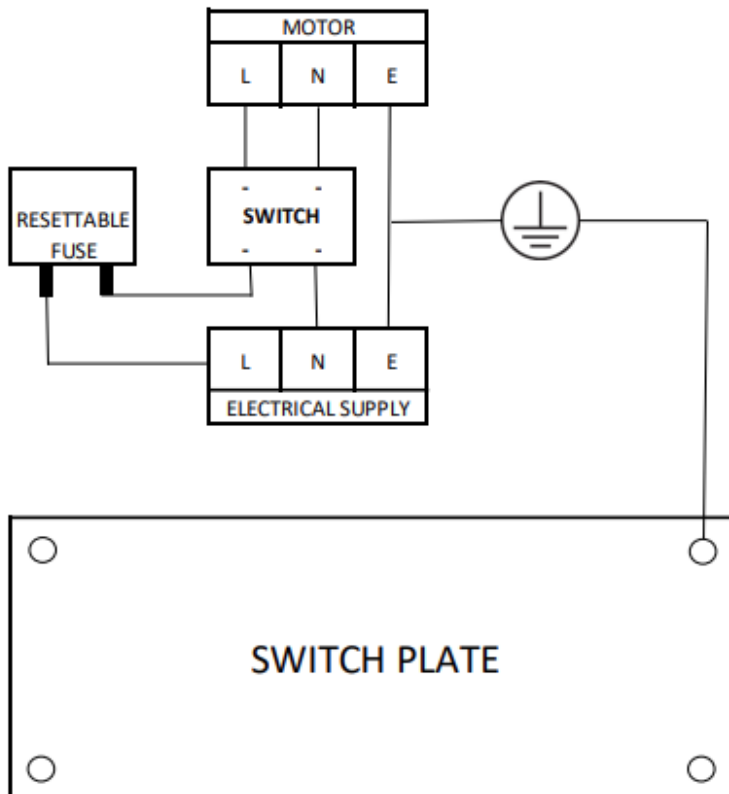
Your Bluemax fan is covered by a 12 months warranty. The Company undertakes to replace or repair, free of charges, any defect due to faulty workmanship or material within 12 months of the sale date, except for:

1. Defects arising from neglect, misuse or un-authorised modifications.
2. Damage caused by abuse, misuse, dropping or other similar damage caused by or as a result of failure to follow operating instructions.
3. Alterations, additions or repairs carried out by persons other than the manufacturer or their recognised distributors without written consent.
4. Transportation or shipment costs to and from the Manufacturer or their recognised agents, for repair or assessment against a warranty claim, on any Bluemax 950 fan or component.
5. Materials and/or labour costs to re-new, repair or replace components due to fair wear and tear.
6. Faults arising from the use of non-standard or additional parts, or any consequential damage or wear caused by the fitting or use of such parts.

**IMPORTANT** – Warranty, at the sole discretion of the manufacturer, may be voided if regular maintenance/inspections are not carried out by a competent person.

Wiring diagrams

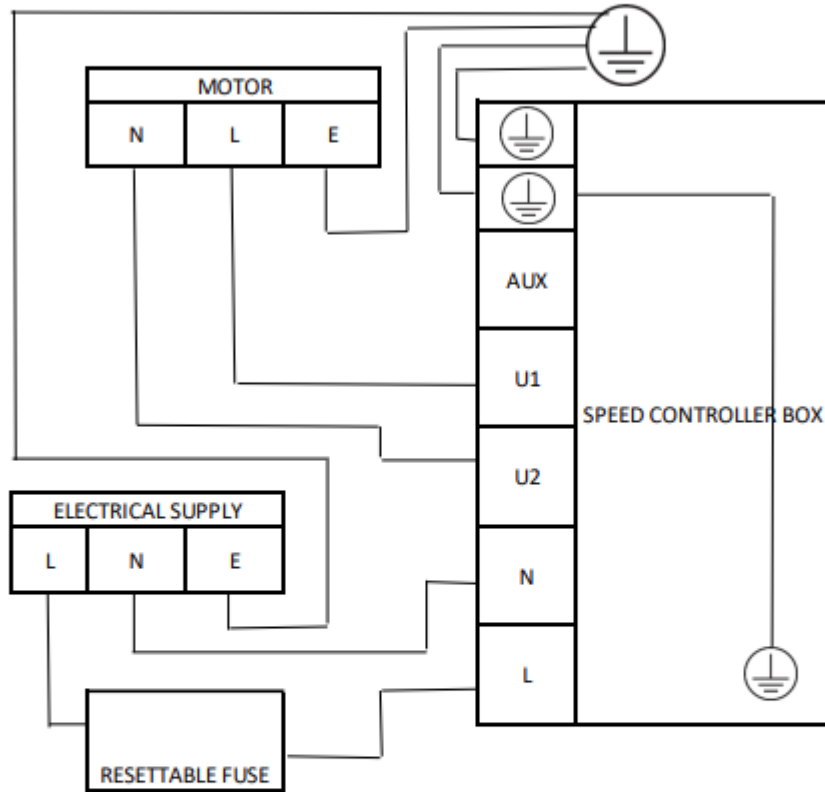
Bluemax 950 Single speed wiring diagram





Wiring diagrams cont.

Bluemax 950 Variable speed wiring diagram



Certification and standards



Built for hire ..... made to last!

Bison Products Limited  
85 Bison Place  
Moss Side Industrial Estate  
Leyland  
Lancashire  
PR26 7QR

Tel: 01772 456191  
Fax: 01772 622464

www.bisonproductsltd.co.uk  
www.trakrat.com

**EU Declaration of Conformity (No. BLU2019)**

In accordance with European Parliament and Council Decision No 768/2008/EC Annex III

1. *Product model / product:*

Product	Bluemax fan range
Model/type	Fan 950-230-S Serial numbers 30001 to 30999 Fan 950-230 Serial numbers 20434 to 20999 Fan 950-110. Serial numbers 10151 to 10999

2. *Manufacturer*

Name	Bison Products Ltd
Address	85 Bison Place, Moss Side Industrial Estate, Leyland, Lancashire, PR26 7QR.

3. *This declaration is issued under the sole responsibility of the manufacturer.*

4. *Object of the declaration:*

Product	Bluemax fan range
Bluemax 950	Mobile fan for light industrial and commercial use.

*The object of the declaration described above is in conformity with the relevant Union harmonisation legislation:*

2006/42/EC	The Machinery Directive
2014/30/EU	The Electromagnetic Compatibility Directive
2011/65/EU	The RoHS Directive
2009/125/EC	The Ecodesign Directive

Continued on next page

Registered in England & Wales No: 07498521  
Registered address: 32 Marathon Place, Moss Side Industrial Estate, Leyland, Lancashire PR26 7QN



Certification and standards cont.



Built for hire ..... made to last!

Bison Products Limited  
85 Bison Place  
Moss Side Industrial Estate  
Leyland  
Lancashire  
PR26 7QR

Tel: 01772 456191  
Fax: 01772 622464

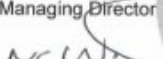
www.bisonproductsltd.co.uk  
www.trakrat.com

5 References to the relevant harmonised standards used or references to the other technical specifications in relation to which conformity is declared:

Reference & Date	Title
EN ISO 12100:2010	Safety of machinery. General principles for design. Risk assessment and risk reduction
EN 60335-1:2012 +A11:2014	Household and similar electrical appliances. Safety Part 1: General requirements
EN 60335-2-30:2009 +A11:2012	Household and similar electrical appliances. Safety. Particular requirements for room heaters
EN ISO 14120:2015	Safety of machinery. Guarding
EN 61000-6-1:2007	Immunity for residential, commercial and light-industrial environments
EN 61000-6-3: 2007 +A1:2011	Emission standard for residential, commercial and light-industrial environments
EN 50581:2012	Technical documentation for the assessment of electrical and electronic products with respect to the restriction of hazardous substances

6 Additional information:

The technical documentation for the machinery is available from:

Name: Bison Products Ltd  
Signed for and on behalf of: Bison Products Ltd  
Place of issue: Leyland  
Date of issue: 7<sup>th</sup> Oct 2019  
Name: Neil Watson  
Function: Managing Director  
Signature: 

Page 2

Registered in England & Wales No: 07498521  
Registered address: 32 Marathon Place, Moss Side Industrial Estate, Leyland, Lancashire PR26 7QN



#### Certification and standards cont.

We the manufacturer confirm that the Bluemax 950 fan range has been independently evaluated to ensure compliance with all current EU regulations in the Directive 2009/125/EC and all relating eco standards and RoHS covering all 10 substances recently updated in July 2019(Restrictions of Hazardous Substances) compliance as detailed in the above Conformity Certificate.

#### Recycling and Disposal



As part of our commitment towards environmental protection, we would ask for our customers to minimise materials wastage by disposing of packaging materials, following local regulations to allow for recycling of packaging materials.



As a responsible manufacturer Bison Products complies to the European Directive 2012/19/EU concerning Waste Electrical and Electronic Equipment (WEEE). All components in this product should be recycled where possible and must not be disposed of in the household general waste. The symbols of the wheelie bin are to remind users of their obligations when disposing of WEEE. If you are at all unsure of the correct disposal, please contact your local waste disposal facility for further advice.

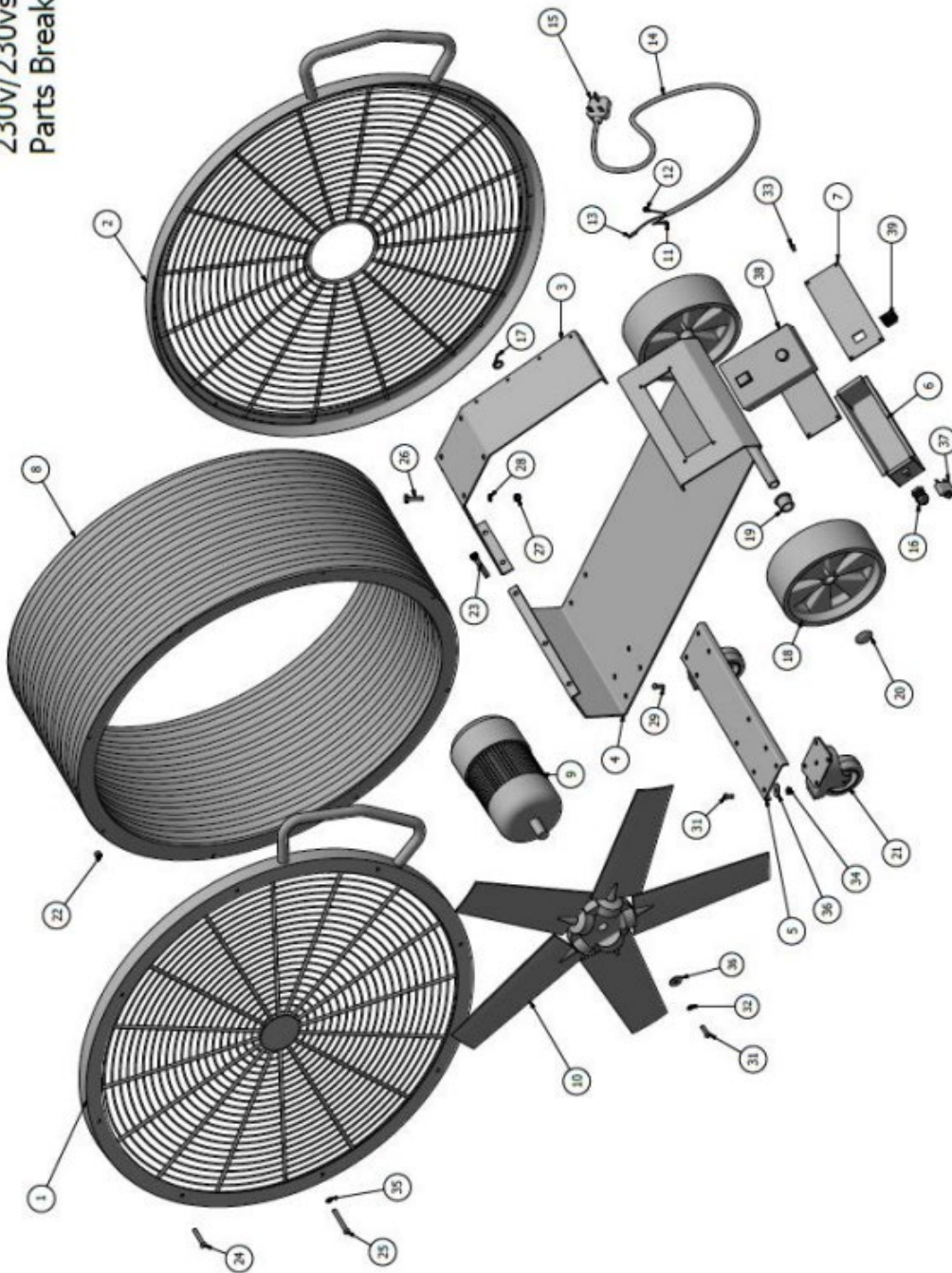
#### Product Improvement

Bison Products has a policy of continual improvement and reserves the right to develop, improve or alter a design without assuming any obligation to modify any product previously manufactured.

## Bluemax 950 (230V) Speed & Non Speed Parts List



Item No:	Part No:	Description
1	MAX-GRI-010	Bluemax 950 Front Grill
2	MAX-GRI-020	Bluemax 950 Rear Grill
3	MAX-PLA-010	Bluemax 950 Motor Mounting Plate
4	MAX-PLA-020	Bluemax 950 Chassis Plate
5	MAX-PLA-060	Castor Plate
6	MAX-BOX-040	Control Box
7	SWI-MAX-950-11	Control Box Lid c/w label & Switch
8	PLA-MAX-900W	900mm Wheelite Plastic
9	FAN-MOT-MAX-2	1500W 230V High resistance motor
10	FAN-BLA-900	Bluemax impellor
11	ELE-CRI-204	M4 Blue ring crimps
12	ELE-CRI-205	M5 Blue ring crimps
13	ELE-CRI-215	Blue spade crimps
14	CAB-ARC-1.5B	1.5mm Arctic Blue Cable 2P+E
15	ELE-PLU-013	13amp Plug
16	ELE-GLA-020	20mm Black compression gland
17	ELE-TIE-120	Cable ties 120 X 4.8
18	WHE-MAX-250	Bluemax 950 wheel
19	NYL-BEA-2530	Nylon bearing 25mm
20	FAS-STA-125	25mm Starlock fastener capped
21	CAS-FAN-100	Swivel Castor wheel 100mm
22	FAS-NUT-813	M8 x 30mm Dynafix Nut
23	FAS-SCR-SOC-1060	M10 x 60mm Socket Cap screw
24	FAS-SCR-BUT-850	M8 x 50mm Button Socket
25	FAS-SCR-BUT-870	M8 x 70mm Button socket
26	FAS-SCR-SET-1035	M10 x 35mm HT Set BZP
27	FAS-SCR-NUT-110	M10 Nyloc nuts
28	FAS-WAS-SHA-10	M10 Internal Shakeproof washer
29	FAS-SCR-BUT-820	M8 x 20mm Button Socket
30	FAS-SCR-BUT-816	M8 x 16mm Button Socket
31	FAS-SCR-BUT-825	M8 x 25mm Button Socket
32	FAS-WAS-SHA-8	M8 Shakeproof washer
33	FAS-SCR-BUT-612	M6 x 12mm Button Socket
34	FAS-NUT-108	M8 Nyloc nut
35	FAS-WAS-PEN-M10	M10 x 30mm x 1.5mm penny washer
36	FAS-WAS-PEN-M8	M8 x 30mm x 1.5mm penny washer
37	ELE-FUS-015	15amp Re-settable fuse
38	SWI-MAX-950-230	Speed controller 230V
39	ELE-SWI-115	Rocker Switch

Bluemax 950  
230v/230vs  
Parts Breakdown



## Bluemax 950 (110V) Parts List

Item	Part Number	Description
1	MAX-GRI-010	Bluemax 950 Front Grill
2	MAX-GRI-020	Bluemax 950 Rear Grill
3	MAX-PLA-010	Bluemax 950 Motor Mounting Plate
4	MAX-PLA-020	Bluemax 950 Chassis Plate
5	MAX-PLA-060	Castor Plate
6	MAX-BOX-040	Control Box
7	SWI-MAX-950-11	Control Box Lid c/w label & Switch
8	ELE-SWI-115	Rocker Switch
9	PLA-MAX-900W	900mm Wheelite Plastic
10	FAN-MOT-MAX-1	1500W 110V High resistance motor
11	FAN-BLA-900	Bluemax impellor
12	ELE-CRI-504	M4 Yellow ring crimps
13	ELE-CRI-505	M5 Yellow ring crimps
14	CAB-ARC-2.5Y	2.5mm Arctic Blue Cable 2P+E
15	ELE-PLU-032	32amp Plug
16	ELE-GLA-020	20mm Black compression gland
17	ELE-TIE-120	Cable ties 120 X 4.8
18	WHE-MAX-250	Bluemax 950 wheel
19	NYL-BEA-2530	Nylon bearing 25mm
20	FAS-STA-125	25mm Starlock fastener capped
21	CAS-FAN-100	Swivel Castor wheel 100mm
22	FAS-NUT-813	M8 x 30mm Dynafix Nut
23	FAS-SCR-SOC-1060	M10 x 60mm Socket Cap screw
24	FAS-SCR-BUT-850	M8 x 50mm Button Socket
25	FAS-SCR-BUT-870	M8 x 70mm Button socket
26	FAS-SCR-SET-1035	M10 x 35mm HT Set BZP
27	FAS-SCR-NUT-110	M10 Nyloc nuts
28	FAS-WAS-SHA-10	M10 Internal Shakeproof washer
29	FAS-SCR-BUT-820	M8 x 20mm Button Socket
30	FAS-SCR-BUT-816	M8 x 16mm Button Socket
31	FAS-SCR-BUT-825	M8 x 25mm Button Socket
32	FAS-WAS-SHA-8	M8 Shakeproof washer
33	FAS-SCR-BUT-612	M6 x 12mm Button Socket
34	FAS-NUT-108	M8 Nyloc nut
35	FAS-WAS-PEN-M10	M10 x 30mm x 1.5mm penny washer
36	FAS-WAS-PEN-M8	M8 x 30mm x 1.5mm penny washer
37	ELE-FUS-025	25amp Re-settable fuse

 <b>BISON PRODUCTS</b>	
Bison Products Ltd	
Model Number: FAN-950-230	
<p>More Efficient</p> <p><b>A+++</b></p> <p><b>A++</b></p> <p><b>A+</b></p> <p><b>A</b></p> <p><b>B</b></p> <p><b>C</b></p> <p><b>D</b></p> <p>Less Efficient</p>	 <p><b>A</b></p>
<b>Energy Consumption KWh</b> Actual energy used will depend on how the equipment is used.	1.5
<b>IP Rating</b>	21
<b>Noise (dB(A))</b>	90
For further product information please refer to the user manual.	
