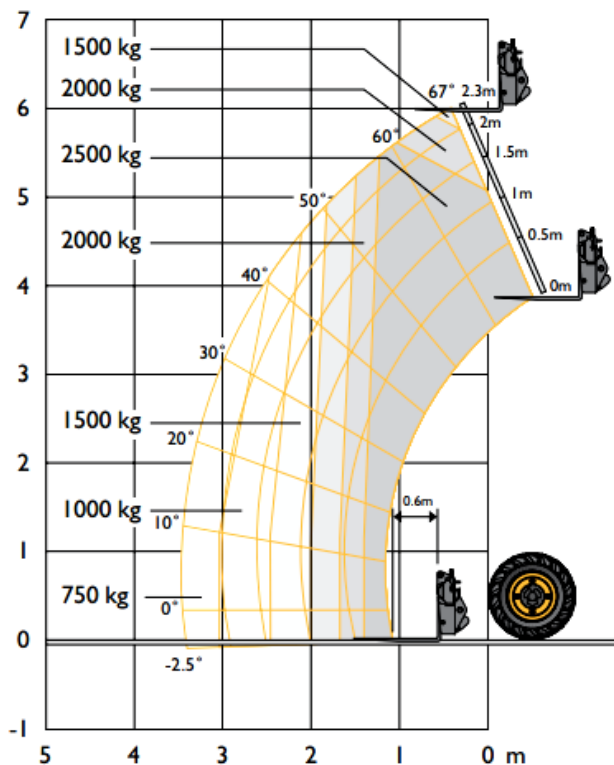


Static Dimensions

Overall Height	1.89 m
Overall width (over tyres)	1.84 m
Inside width of cab	0.88 m
Front track	1.53 m
Wheelbase	2.39 m
Overall Length to front tyres	3.38 m
Overall Length to front carriage	4 m
Ground clearance	0.23 m
Front wheel centre to carriage	1.02 m
Rear wheel centre to rear face	0.6 m
Outside turn radius (over tyres)	3.7 m
Carriage roll back angle	11 degrees
Carriage dump angle	114 degrees
Weight	5490 kg

Lift Performance

Lift Performance



Maximum Lift Capacity	2500 kg
Lift capacity to full height	1500 kg
Lift capacity at full reach	750 kg
Lift height	6 m
Reach at maximum lift height	- 0.15 m
Maximum forward reach (to front of carriage)	3.5 m
Reach with 1.2 tonne load	2.64 m
<i>Complies with stability test AS 1418.19</i>	

Engine

Latest Tier 4 Final technology and advanced design provides low fuel consumption, reduced noise, high torque and power output, total reliability and minimal maintenance. Two-stage, dry type air filter with primary and safety elements. Territory dependent.

Manufacturer	JCB Diesel by Kohler
Displacement	2.5 litres
No. of cylinders	4
Bore size	88 mm
Stroke	102 mm
Aspiration	Turbocharged cooled
Power Rating	
Power @ 2200 rpm	55 kW / 74 hp
Torque rating	
Torque @ 1500 rpm	300 Nm

Hydraulics

Two stage gear pumps, fitted with suction strainer and filler. One boom end auxiliary hydraulic service fitted as standard.

Operating system pressure	235 bar
Flow at system pressure @ 2200 rpm	80 ltr/min
Hydraulic cycle times	Seconds
Boom Raise	7.6
Boom Lower	5.3
Boom Extend	7.5
Retract	3.7
Bucket Dump	1.9
Bucket Crowd	2.9

Boom and Carriage

Boom is manufactured from high tensile steel. Low maintenance, hard wearing pads. JCB Q-Fit, JCB compact toolcarrier, Skid-Steer.

Brakes

Service brakes: Hydraulically operated self-adjusting, oil-immersed in-board multi-disc type mounted on front axle.

Parking Brake: SAHR Handbrake self adjusting, oil immersed in-board multi disc type mounted on front axle operated by in-cab switch.

Steering

Hydrostatic power steering with power track rods on both axles.

Three steer mode options: Front wheel steer, all wheel steer, crab steer, operated from in the cab by a selection lever.

Option: In cab selector switch with Auto Align

Transmission

Closed loop variable displacement pump with a continuously variable hydrostatic drive. Comprising of a hydraulic motor and control unit. Permanent 4-wheel drive. Travel speed: 25kph (15mph), 20kph (12mph) (TUV).

	Forward	Reverse
Low Range	8 kph	8 kph
High Range	25 kph	25 kph

Axles

Front and rear drive axles: epicyclic hub reduction drive/steer axles with torque proportioning differentials.

Electrics

System voltage	12 V
Alternator output	80 Amp/hr
Battery Capacity	120 Amp/hr

Full road lighting. Reverse light. Direction indicators. Hazard warning. Reverse alarm.

Service Fill Capacities

Hydraulic system	65 litres
Fuel tank	75 litres

Full road lighting. Reverse light. Direction indicators. Hazard warning. Reverse alarm.

Cab

Quiet, safe and comfortable cab conforms to ROPS ISO 3471 and FOPS ISO 3449. Tinted glass all round, with laminated roof screen. Roof bars, front screen and roof screen wipers and heater/ screen demister. Rear opening window with wash/wipe. Audio-visual warning system for coolant temperature, engine oil pressure, air-cleaner, battery charge, transmission oil temperature and pressure, water in fuel, hour meter, road speed indicator, fuel gauge, engine temperature, clock and inclinometer. Adjustable suspension seat, tilt steer column, park brake, floor mounted throttle and brake pedals.

Hydraulic Controls: Single lever servo joystick, incorporating forward/neutral/reverse, with progressive extend/retract and auxiliary incorporating constant flow facility.

Load Moment Indicator: Automatic eye level audio-visual load moment indicator warning system receiving a signal from a load sensor on the rear axle. This system continuously monitors the machine's forward stability and leaves the operator in control at all times.

Options and Accessories

Options: Canopy, front and rear working lights, rotating flashing beacon, fire extinguisher, front screen guard, air conditioning, 2 boom end auxiliary services, sunblind, radio kit, carriage hydraulic locking, limited slip differential in front axle, air suspension seat, 2-speed and intermittent front wash/wiper.

Attachments: Contact your local dealer for details of the comprehensive range.