

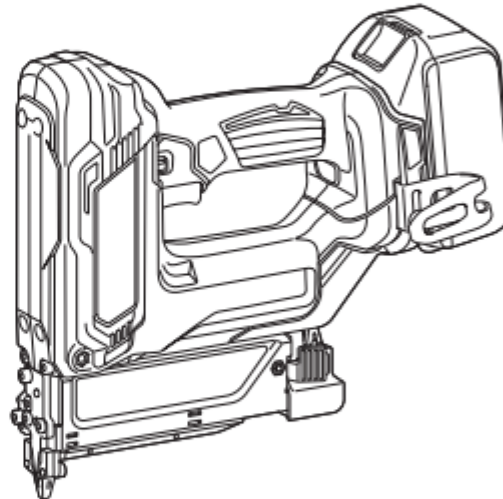
ENGLISH: Original Instructions

INSTRUCTION MANUAL



Cordless Pin Nailer

DPT353



Read before use.

SPECIFICATIONS

Model:	DPT353	
Pin nail size	ø0.6 mm x 15, 18, 25, 30, 35 mm	
Pin nail magazine capacity	100 pcs.	
Dimensions without hook (L x W x H)	257 mm x 79 mm x 226 mm	
Rated voltage	D.C. 18 V	
Battery cartridge	BL1815, BL1815N, BL1820, BL1820B	BL1830, BL1830B, BL1840, BL1840B, BL1850, BL1850B, BL1860B
Net weight	2.0 kg	2.2 kg

- Due to our continuing program of research and development, the specifications herein are subject to change without notice.
- Specifications and battery cartridge may differ from country to country.
- Weight, with battery cartridge, according to EPTA-Procedure 01/2003

Symbols

The following show the symbols used for the equipment. Be sure that you understand their meaning before use.



Read instruction manual.



Cd
Ni-MH
Li-Ion

Only for EU countries
Do not dispose of electric equipment or battery pack together with household waste material!

In observance of the European Directives, on Waste Electric and Electronic Equipment and Batteries and Accumulators and Waste Batteries and Accumulators and their implementation in accordance with national laws, electric equipment and batteries and battery pack(s) that have reached the end of their life must be collected separately and returned to an environmentally compatible recycling facility.

NOTE: The declared vibration emission value has been measured in accordance with the standard test method and may be used for comparing one tool with another.

NOTE: The declared vibration emission value may also be used in a preliminary assessment of exposure.

⚠ WARNING: The vibration emission during actual use of the power tool can differ from the declared emission value depending on the ways in which the tool is used.

⚠ WARNING: Be sure to identify safety measures to protect the operator that are based on an estimation of exposure in the actual conditions of use (taking account of all parts of the operating cycle such as the times when the tool is switched off and when it is running idle in addition to the trigger time).

EC Declaration of Conformity

For European countries only

The EC declaration of conformity is included as Annex A to this instruction manual.

Intended use

The tool is intended for pressing pin nails into construction materials such as timbers.

Noise

The typical A-weighted noise level determined according to EN60745:

Sound pressure level (L_{pA}) : 76 dB(A)

Uncertainty (K) : 3 dB(A)

The noise level under working may exceed 80 dB (A).

⚠ WARNING: Wear ear protection.

Vibration

The vibration total value determined according to EN60745:

Vibration emission (a_{h1}) : 2.5 m/s² or less

Uncertainty (K) : 1.5 m/s²

SAFETY WARNINGS

General power tool safety warnings

⚠ WARNING: Read all safety warnings and all instructions. Failure to follow the warnings and instructions may result in electric shock, fire and/or serious injury.

Save all warnings and instructions for future reference.

The term "power tool" in the warnings refers to your mains-operated (corded) power tool or battery-operated (cordless) power tool.

Work area safety

1. **Keep work area clean and well lit.** Cluttered or dark areas invite accidents.
2. **Do not operate power tools in explosive atmospheres, such as in the presence of flammable liquids, gases or dust.** Power tools create sparks which may ignite the dust or fumes.
3. **Keep children and bystanders away while operating a power tool.** Distractions can cause you to lose control.

Electrical Safety

1. **Power tool plugs must match the outlet. Never modify the plug in any way. Do not use any adapter plugs with earthed (grounded) power tools.** Unmodified plugs and matching outlets will reduce risk of electric shock.
2. **Avoid body contact with earthed or grounded surfaces, such as pipes, radiators, ranges and refrigerators.** There is an increased risk of electric shock if your body is earthed or grounded.
3. **Do not expose power tools to rain or wet conditions.** Water entering a power tool will increase the risk of electric shock.
4. **Do not abuse the cord. Never use the cord for carrying, pulling or unplugging the power tool. Keep cord away from heat, oil, sharp edges or moving parts.** Damaged or entangled cords increase the risk of electric shock.
5. **When operating a power tool outdoors, use an extension cord suitable for outdoor use.** Use of a cord suitable for outdoor use reduces the risk of electric shock.
6. **If operating a power tool in a damp location is unavoidable, use a residual current device (RCD) protected supply.** Use of an RCD reduces the risk of electric shock.

Personal Safety

1. **Stay alert, watch what you are doing and use common sense when operating a power tool. Do not use a power tool while you are tired or under the influence of drugs, alcohol or medication.** A moment of inattention while operating power tools may result in serious personal injury.
2. **Use personal protective equipment. Always wear eye protection.** Protective equipment such as a dust mask, non-skid safety shoes, hard hat or hearing protection used for appropriate conditions will reduce personal injuries.
3. **Prevent unintentional starting. Ensure the switch is in the off-position before connecting to power source and/or battery pack, picking up or carrying the tool.** Carrying power tools with your finger on the switch or energising power tools that have the switch on invites accidents.
4. **Remove any adjusting key or wrench before turning the power tool on.** A wrench or a key left attached to a rotating part of the power tool may result in personal injury.
5. **Do not overreach. Keep proper footing and balance at all times.** This enables better control of the power tool in unexpected situations.

6. **Dress properly. Do not wear loose clothing or jewellery. Keep your hair, clothing, and gloves away from moving parts.** Loose clothes, jewellery or long hair can be caught in moving parts.
7. **If devices are provided for the connection of dust extraction and collection facilities, ensure these are connected and properly used.** Use of dust collection can reduce dust-related hazards.

Power tool use and care

1. **Do not force the power tool. Use the correct power tool for your application.** The correct power tool will do the job better and safer at the rate for which it was designed.
2. **Do not use the power tool if the switch does not turn it on and off.** Any power tool that cannot be controlled with the switch is dangerous and must be repaired.
3. **Disconnect the plug from the power source and/or the battery pack from the power tool before making any adjustments, changing accessories, or storing power tools.** Such preventive safety measures reduce the risk of starting the power tool accidentally.
4. **Store idle power tools out of the reach of children and do not allow persons unfamiliar with the power tool or these instructions to operate the power tool.** Power tools are dangerous in the hands of untrained users.
5. **Maintain power tools. Check for misalignment or binding of moving parts, breakage of parts and any other condition that may affect the power tool's operation. If damaged, have the power tool repaired before use.** Many accidents are caused by poorly maintained power tools.
6. **Keep cutting tools sharp and clean.** Properly maintained cutting tools with sharp cutting edges are less likely to bind and are easier to control.
7. **Use the power tool, accessories and tool bits etc. in accordance with these instructions, taking into account the working conditions and the work to be performed.** Use of the power tool for operations different from those intended could result in a hazardous situation.

Battery tool use and care

1. **Recharge only with the charger specified by the manufacturer.** A charger that is suitable for one type of battery pack may create a risk of fire when used with another battery pack.
2. **Use power tools only with specifically designated battery packs.** Use of any other battery packs may create a risk of injury and fire.
3. **When battery pack is not in use, keep it away from other metal objects, like paper clips, coins, keys, nails, screws or other small metal objects, that can make a connection from one terminal to another.** Shorting the battery terminals together may cause burns or a fire.
4. **Under abusive conditions, liquid may be ejected from the battery; avoid contact. If contact accidentally occurs, flush with water. If liquid contacts eyes, additionally seek medical help.** Liquid ejected from the battery may cause irritation or burns.

Service

1. Have your power tool serviced by a qualified repair person using only identical replacement parts. This will ensure that the safety of the power tool is maintained.
2. Follow instruction for lubricating and changing accessories.
3. Keep handles dry, clean and free from oil and grease.

Cordless nailer safety warnings

1. Always assume that the tool contains fasteners. Careless handling of the nailer can result in unexpected firing of fasteners and personal injury.
2. Do not point the tool towards yourself or anyone nearby. Unexpected triggering will discharge the fastener causing an injury.
3. Do not actuate the tool unless the tool is placed firmly against the workpiece. If the tool is not in contact with the workpiece, the fastener may be deflected away from your target.
4. Disconnect the tool from the power source when the fastener jams in the tool. While removing a jammed fastener, the nailer may be accidentally activated if it is plugged in.
5. Use caution while removing a jammed fastener. The mechanism may be under compression and the fastener may be forcefully discharged while attempting to free a jammed condition.
6. Do not use this nailer for fastening electrical cables. It is not designed for electric cable installation and may damage the insulation of electric cables thereby causing electric shock or fire hazards.
7. Always wear safety glasses to protect your eyes from dust or fastener injury.

⚠WARNING: It is an employer's responsibility to enforce the use of safety eye protection equipment by the tool operators and by other persons in the immediate working area.
8. Keep hands and feet away from the ejection port area.
9. Follow instruction for lubricating and changing accessories.
10. Always remove the battery cartridge before loading the fasteners, adjustment, inspection, maintenance or after operation is over.
11. Make sure no one is nearby before operation. Never attempt to drive fasteners from both the inside and outside of wall at the same time. Fasteners may rip through and/or fly off, presenting a grave danger.
12. Watch your footing and maintain your balance with the tool. Make sure there is no one below when working in high locations.
13. Never use fastener driving tools marked with the symbol "Do not use on scaffoldings, ladders" for specific application for example:
 - when changing one driving location to another involves the use of scaffoldings, stairs, ladders, or ladder alike constructions, e.g. roof laths;
 - closing boxes or crates;

- fitting transportation safety systems e.g. on vehicles and wagons.
14. Check walls, ceilings, floors, roofing and the like carefully to avoid possible electrical shock, gas leakage, explosions, etc. caused by stapling into live wires, conduits or gas pipes.
 15. Use only fasteners specified in this manual. The use of any other fasteners may cause malfunction of the tool.
 16. Do not tamper with the tool or attempt to use it for other than driving fasteners.
 17. Do not operate the tool without fasteners. It shortens the service life of the tool.
 18. Stop driving operations immediately if you notice something wrong or out of the ordinary with the tool.
 19. Never fasten into any materials which may allow the fastener to puncture and fly through as a projectile.
 20. Never actuate the switch trigger and contact element at the same time until you are prepared to fasten workpieces. Allow the workpiece to depress the contact element. Never defeat its purpose by securing the contact element back or by depressing it by hand.
 21. Never tamper with the contact element. Check the contact element frequently for proper operations.
 22. Always remove fasteners from the tool when not in use.

SAVE THESE INSTRUCTIONS.

⚠WARNING: DO NOT let comfort or familiarity with product (gained from repeated use) replace strict adherence to safety rules for the subject product. MISUSE or failure to follow the safety rules stated in this instruction manual may cause serious personal injury.

Important safety instructions for battery cartridge

1. Before using battery cartridge, read all instructions and cautionary markings on (1) battery charger, (2) battery, and (3) product using battery.
2. Do not disassemble battery cartridge.
3. If operating time has become excessively shorter, stop operating immediately. It may result in a risk of overheating, possible burns and even an explosion.
4. If electrolyte gets into your eyes, rinse them out with clear water and seek medical attention right away. It may result in loss of your eyesight.
5. Do not short the battery cartridge:
 - (1) Do not touch the terminals with any conductive material.
 - (2) Avoid storing battery cartridge in a container with other metal objects such as nails, coins, etc.
 - (3) Do not expose battery cartridge to water or rain.

A battery short can cause a large current flow, overheating, possible burns and even a breakdown.

6. Do not store the tool and battery cartridge in locations where the temperature may reach or exceed 50 °C (122 °F).
7. Do not incinerate the battery cartridge even if it is severely damaged or is completely worn out. The battery cartridge can explode in a fire.
8. Be careful not to drop or strike battery.
9. Do not use a damaged battery.
10. The contained lithium-ion batteries are subject to the Dangerous Goods Legislation requirements.
For commercial transports e.g. by third parties, forwarding agents, special requirement on packaging and labeling must be observed.
For preparation of the item being shipped, consulting an expert for hazardous material is required. Please also observe possibly more detailed national regulations.
Tape or mask off open contacts and pack up the battery in such a manner that it cannot move around in the packaging.
11. Follow your local regulations relating to disposal of battery.

SAVE THESE INSTRUCTIONS.

CAUTION: Only use genuine Makita batteries. Use of non-genuine Makita batteries, or batteries that have been altered, may result in the battery bursting causing fires, personal injury and damage. It will also void the Makita warranty for the Makita tool and charger.

Tips for maintaining maximum battery life

1. Charge the battery cartridge before completely discharged. Always stop tool operation and charge the battery cartridge when you notice less tool power.
2. Never recharge a fully charged battery cartridge. Overcharging shortens the battery service life.
3. Charge the battery cartridge with room temperature at 10 °C - 40 °C (50 °F - 104 °F). Let a hot battery cartridge cool down before charging it.
4. Charge the battery cartridge if you do not use it for a long period (more than six months).

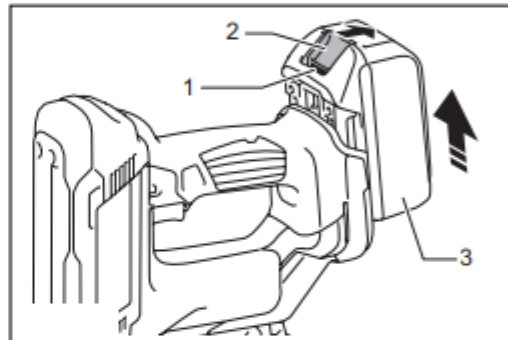
FUNCTIONAL DESCRIPTION

CAUTION: Always be sure that the tool is switched off and the battery cartridge is removed before adjusting or checking function on the tool.

Installing or removing battery cartridge

CAUTION: Always switch off the tool before installing or removing of the battery cartridge.

CAUTION: Hold the tool and the battery cartridge firmly when installing or removing battery cartridge. Failure to hold the tool and the battery cartridge firmly may cause them to slip off your hands and result in damage to the tool and battery cartridge and a personal injury.



► 1. Red indicator 2. Button 3. Battery cartridge

To remove the battery cartridge, slide it from the tool while sliding the button on the front of the cartridge.

To install the battery cartridge, align the tongue on the battery cartridge with the groove in the housing and slip it into place. Insert it all the way until it locks in place with a little click. If you can see the red indicator on the upper side of the button, it is not locked completely.

CAUTION: Always install the battery cartridge fully until the red indicator cannot be seen. If not, it may accidentally fall out of the tool, causing injury to you or someone around you.

CAUTION: Do not install the battery cartridge forcibly. If the cartridge does not slide in easily, it is not being inserted correctly.

Tool / battery protection system

The tool is equipped with a tool/battery protection system. This system automatically cuts off power to the motor to extend tool and battery life. The tool will automatically stop during operation if the tool or battery is placed under one of the following conditions:

Overload protection

When the tool/battery is operated in a manner that causes it to draw an abnormally high current, the tool automatically stops without any indication. In this situation, turn the tool off and stop the application that caused the tool to become overloaded. Then turn the tool on to restart.

Overheat protection

When the tool/battery is overheated, the tool stops automatically. In this situation, let the tool/battery cool before turning the tool on again.

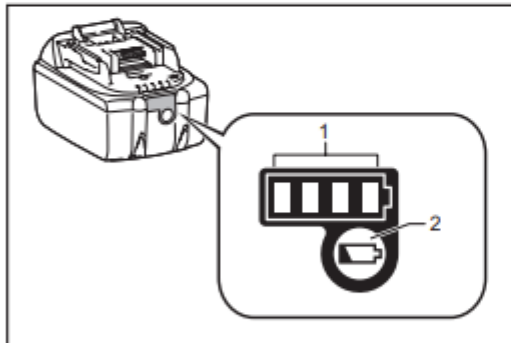
Overdischarge protection

When the battery capacity is not enough, the tool stops automatically and the battery indicator shows following state. In this case, remove the battery from the tool and charge the battery.

On	Off	Blinking

Indicating the remaining battery capacity

Only for battery cartridges with the indicator



► 1. Indicator lamps 2. Check button

Press the check button on the battery cartridge to indicate the remaining battery capacity. The indicator lamps light up for few seconds.

Indicator lamps			Remaining capacity
Lighted	Off	Blinking	
■ ■ ■ ■			75% to 100%
■ ■ ■ □			50% to 75%
■ ■ □ □			25% to 50%
■ □ □ □			0% to 25%

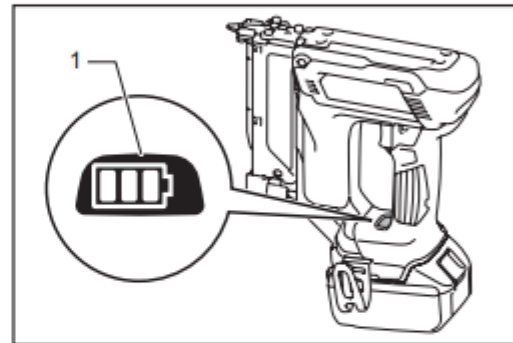
Indicator lamps			Remaining capacity
Lighted	Off	Blinking	
■	□	□	Charge the battery.
■ ■ ■ □			The battery may have malfunctioned.
■ ■ □ □			

NOTE: Depending on the conditions of use and the ambient temperature, the indication may differ slightly from the actual capacity.

Indicating the remaining battery capacity

Country specific

When you either pull the switch trigger or push the contact element, the battery indicator shows the remaining battery capacity.



► 1. Battery indicator

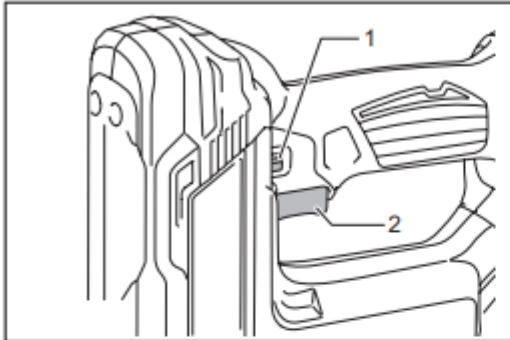
The remaining battery capacity is shown as the following table.

Battery indicator status			Remaining battery capacity
On	Off	Blinking	
	■ ■ ■ ■		50% to 100%
	■ ■ ■ □		20% to 50%
	■ ■ □ □		0% to 20%
	■ □ □ □		Charge the battery

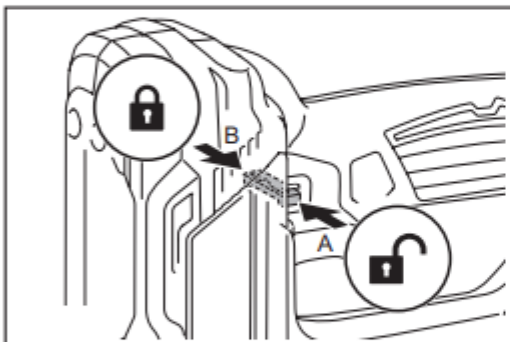
Trigger-lock button

CAUTION: Before installing the battery cartridge into the tool, always check to see that the switch trigger actuates properly and returns to the "OFF" position when released.

CAUTION: When not operating the tool, depress the trigger-lock button from B side to lock the switch trigger in the OFF position.



► 1. Trigger-lock button 2. Switch trigger

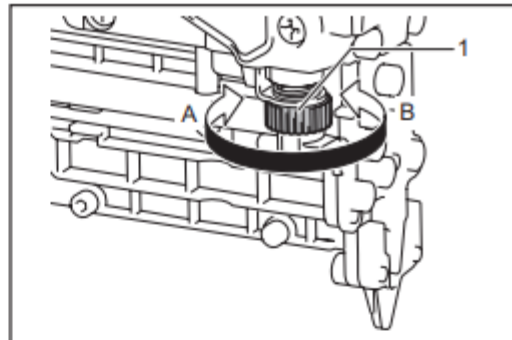


To prevent the switch trigger from accidentally pulled, the trigger-lock button is provided.
To pull the switch trigger, depress the trigger-lock button from A side.
After use, always press in the trigger-lock button from B side.

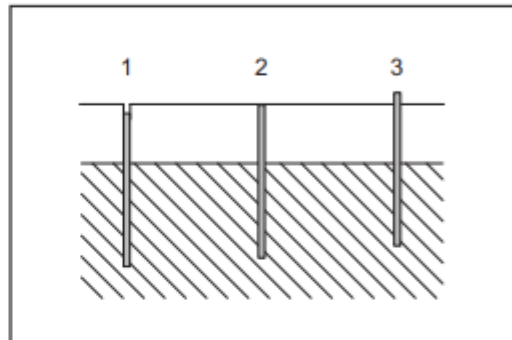
Adjusting the depth of pin-nailing

WARNING: Always make sure that your fingers are not placed on the switch trigger or the contact element and the battery cartridge is removed before adjusting the depth of nailing.

Depth of pin-nailing can be adjusted on this pin nailer. To adjust the depth of nailing, turn the adjuster. The depth of nailing is the deepest when the adjuster is turned fully in the A direction shown in the figure. It will become shallower as the adjuster is turned in the B direction. Depth can be adjusted 1.5 mm to the maximum.



► 1. Adjuster

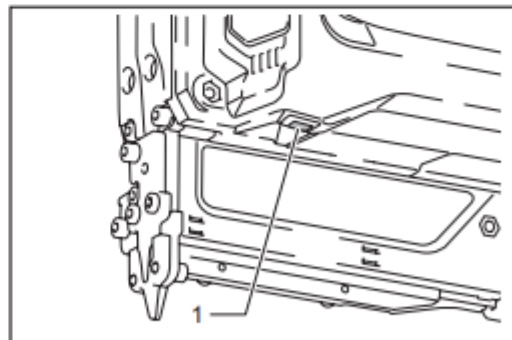


► 1. Too deep 2. Flush 3. Too shallow

Lighting up the lamp

CAUTION: Do not look in the light or see the source of light directly.

Pull the switch trigger or actuate the contact element to light up the lamp. The lamp keeps on lighting while pulling the switch trigger or actuating the contact element. The lamp goes out approximately 10 seconds after releasing the switch trigger and the contact element.



► 1. Lamp

NOTE: Use a dry cloth to wipe the dirt off the lens of the lamp. Be careful not to scratch the lens of lamp, or it may lower the illumination.

NOTE: Even in the lamp lights up when the battery power residual gets small, pin nailer may not fire pin nails. In this case, charge the battery cartridge.

ASSEMBLY

CAUTION: Always make sure that your fingers are not placed on the switch trigger or the contact element and the battery cartridge is removed before carrying out any work on the pin nailer.

Loading the pin nailer

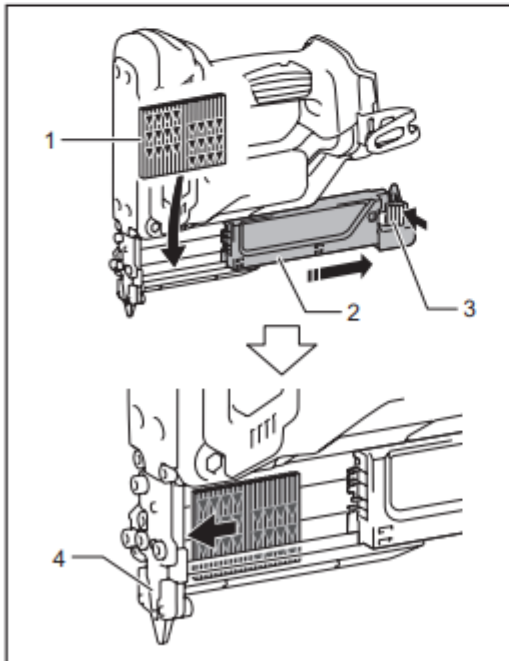
CAUTION: Always make sure that the battery cartridge is removed before loading the pin nailer. Unintentional firing may cause personal injuries and property damage.

CAUTION: Do not abruptly slide the magazine of the pin nailer loaded with pin nails. Accidentally dropping pin nails especially when working in high places may cause personal injuries.

CAUTION: Load pin nails in the correct direction. Loading in wrong direction may cause premature wear and tear of the driver and damage of the other parts.

CAUTION: Do not use deformed connected pin nails. Use pin nails specified in this manual. Using pin nails other than those specified may cause pin nail jamming and breakage of the pin nailer.

1. Remove the battery cartridge.
2. Press the locking lever and slide the magazine backward.
3. Align the tip of pin nails with the grooves at the bottom of the magazine and push the whole part of pin nails toward the driver guide. (Be careful to place pin nails in the right direction.)



- 1. Pin nails 2. Magazine 3. Locking lever 4. Driver guide

4. After loading pin nails, push back the magazine in place until it clicks.

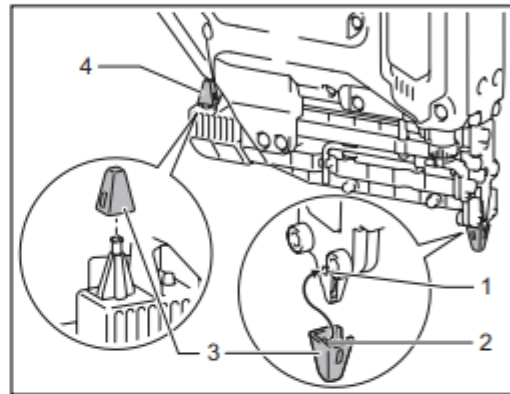
To remove pin nails, follow the installation procedures in reverse.

Nose adapter

CAUTION: Always make sure that your fingers are not placed on the switch trigger or the contact element and the battery cartridge is removed before installing the nose adapter.

When firing pin nails on the material with easily-marred surfaces, use the nose adapter. To install the nose adapter, place it over the driver guide cover so that the protrusion inside the nose adapter fits to the dent in the driver guide cover.

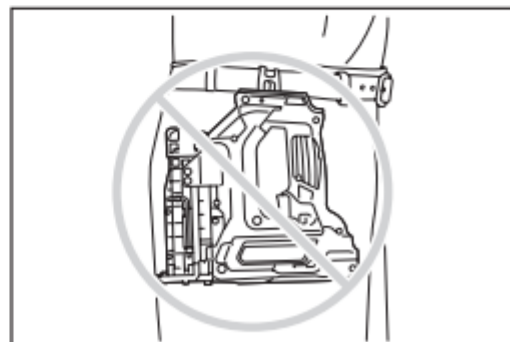
You can store the nose adapter on the holder on the back end of the magazine to keep it from being lost.



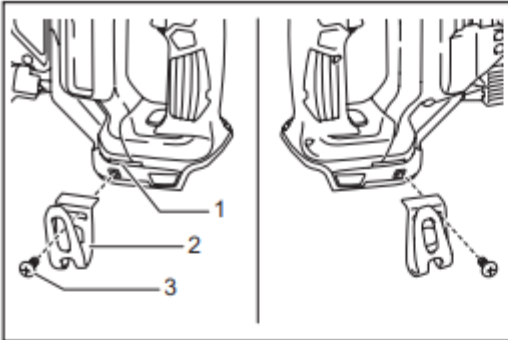
- 1. Dent 2. Protrusion 3. Nose adapter 4. Holder

Hook

CAUTION: Do not hang the hook from the waist belt. Dropping the pin nailer, which is caused by the hook accidentally coming out of place, may cause unintentional firing and result in personal injuries.



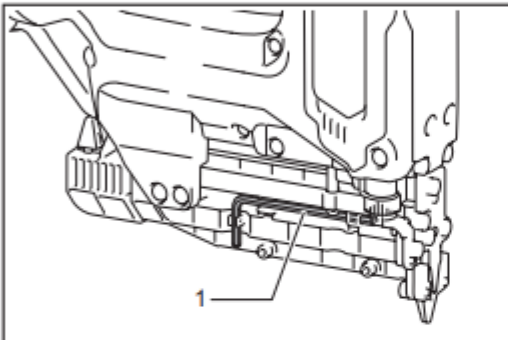
The hook is convenient for temporarily hanging the tool. This can be installed on either side of the tool. To install the hook, insert it into a groove in the tool housing on either side and then secure it with a screw. To remove, loosen the screw and then take it out.



► 1. Groove 2. Hook 3. Screw

Hex wrench storage

When not in use, store the hex wrench as shown in the figure to keep it from being lost.

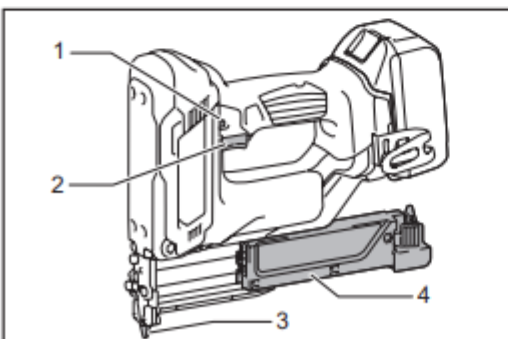


► 1. Hex wrench

OPERATION

Testing the safety system

⚠ WARNING: Make sure all safety systems are in working order before operation. Failure to do so may cause personal injuries.



► 1. Trigger-lock button 2. Switch trigger 3. Contact element 4. Magazine

Test safety systems for possible fault before operation as follows.

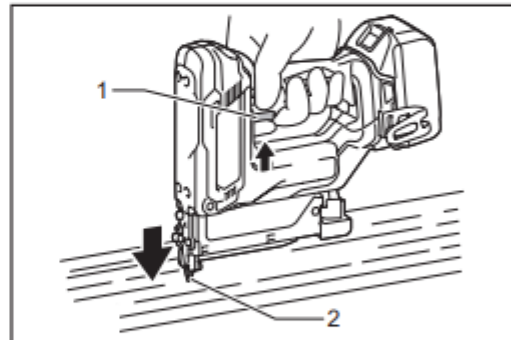
1. Unload pin nails from the tool and keep the magazine opened.
2. Install the battery cartridge and release the trigger lock.
3. Only pull the switch trigger without touching the contact element against the material.
4. Only touch the contact element against the material without pulling the switch trigger.

If the tool operates in the case of 3 and 4 above, the safety systems are faulty. Stop using the tool immediately and ask your local service center.

Driving pin nails

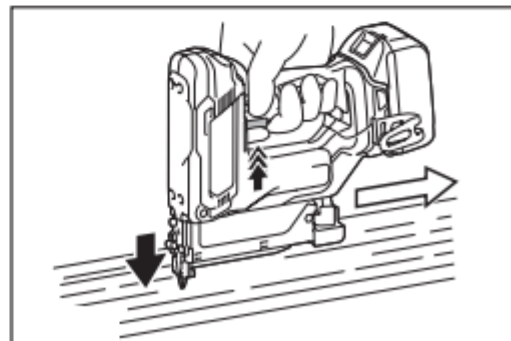
⚠ WARNING: Continue to place the contact element firmly on the material until the pin nail is driven completely. Unintentional firing may cause personal injuries.

1. Release the trigger lock.
2. Place flat the contact element on the material.
3. Pull the switch trigger fully to drive a pin nail.
4. To drive the next pin nail, release your finger from the switch trigger once, and then repeat the step 2 and 3 above.

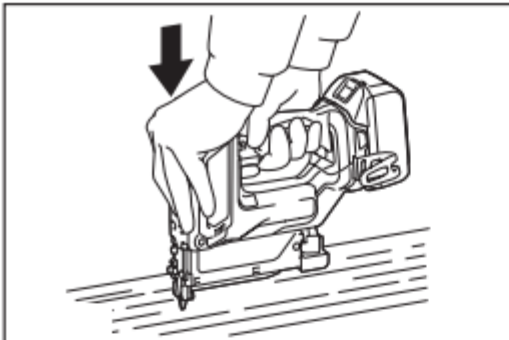


► 1. Switch trigger 2. Contact element

You can also drive the pin nails when dragging the tool to the next area with the contact element pressed against the material and pulling the switch trigger.



If the head of the pin nail remains above the workpiece surface, drive the pin nail while holding the pin nailer head firmly against the workpiece.



NOTE: If the head of the pin nail still remains above the workpiece even you hold the pin nail head, the material may not be suitable for the pin nailer. Continuing to use the pin nailer on such material may result in a damage to the driver of the pin nailer and/or pin nailer jamming.

Anti dry fire mechanism

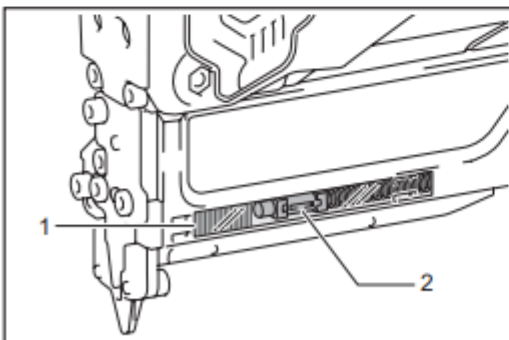
WARNING: Always make sure that your fingers are not placed on the switch trigger or the contact element and the battery cartridge is removed before loading the pin nailer.

When the number of remaining pin nails in the magazine are 0 - 3 pieces, the switch trigger can no longer be pulled. At this time, insert a new strip of pin nails in the magazine and the switch trigger can be pulled again.

NOTE: When firing a different length of pin nails shortly after the anti-dry firing device has actuated, insert a new strip of pin nails into the magazine and fire away all the prior pin nails that have remained on junk material.

Checking remaining pin nails

You can check the amount of remaining pin nails through the sight window. The red indicator moves toward fastening opening with the amount of remaining pin nails become smaller.



► 1. Sight window 2. Indicator

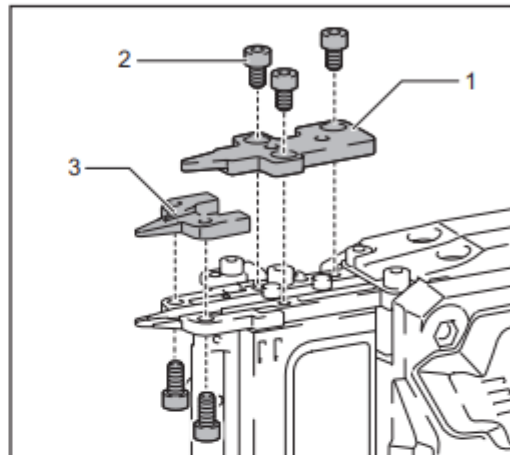
Removing jammed pin nails

WARNING: Always make sure that the battery cartridge is removed before removing jammed pin nails.

Take out pin nails that remain inside the magazine. Remove three screws with the hex wrench that are securing the driver guide cover.

Take the jammed nails from the nail guide groove that has appeared.

When it is difficult to take out the jammed nails, further remove two screws with the hex wrench that are securing the contact top cover. Then take them out.



► 1. Driver guide cover 2. Screw 3. Contact top cover

MAINTENANCE

CAUTION: Always be sure that the tool is switched off and the battery cartridge is removed before attempting to perform inspection or maintenance.

NOTICE: Never use gasoline, benzine, thinner, alcohol or the like. Discoloration, deformation or cracks may result.

To maintain product SAFETY and RELIABILITY, repairs, any other maintenance or adjustment should be performed by Makita Authorized or Factory Service Centers, always using Makita replacement parts.

OPTIONAL ACCESSORIES

⚠ CAUTION: These accessories or attachments are recommended for use with your Makita tool specified in this manual. The use of any other accessories or attachments might present a risk of injury to persons. Only use accessory or attachment for its stated purpose.

If you need any assistance for more details regarding these accessories, ask your local Makita Service Center.

- Pin nails
- Makita genuine battery and charger
- Safety goggles

NOTE: Some items in the list may be included in the tool package as standard accessories. They may differ from country to country.

Makita Europe N.V. Jan-Baptist Vinkstraat 2,
3070 Kortenberg, Belgium

Makita Corporation 3-11-8, Sumiyoshi-cho,
Anjo, Aichi 446-8502 Japan

www.makita.com

885545-223 EN 20161006
