

BOMAG

Rammax 0.85M Trench Compactor BMP 8500



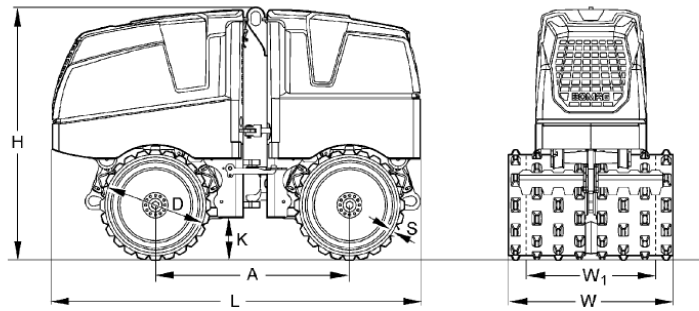
Flexible working widths
Original BOMAG drum extensions



Safe operation
Radio/cable remote control with
integrated operator protection



Higher quality, lower costs
ECONOMIZER - The compaction
display (optional)



Dimensions in mm

	A	D	H	K	L	S	W	W1
BMP 8500	1000	520	1275	197	1897	16	850	610

Weights	Standard
Operating Weight CECE	1595
Basic Weight	1585
Average Axle Load CECE	798 kg

Dimensions	
Working Width	1000 mm
Dimensions (L x W x H)	2529 x 1000 x 228 mm
Track Radius, inner	2550 mm

Driving Characteristics	
Speed (1) Forward	1.2 km/h
Speed (1) Reverse	1.2 km/h
Speed (2) Forward	2.8 km/h
Speed (2) Reverse	2.8 km/h
Max. Gradeability without/with vbr	40/30 %

Drive	
Engine Manufacturer	Kubota
Type	D 1005
Emission Stage	Stage V / TIER4f
Cooling	Water
Number of Cylinders	3
Performance ISO 3046	14.5 kW
Speed	2,600 min ⁻¹
Fuel	Diesel
Drive System	Hydrost
Driven Drum	4
Fuel Consumption Average during Operation	3.1 L/H

Brakes	
Service Brake	Hydrost.
Parking Brake	Hydromec.

Exciter System	
Vibrating Drum	Front + Rear
Drive System	Hydraulic
Frequency	42/42 Hz
Amplitude	1,12 / 0,56 mm
Centrifugal Force	72/36 kN

Capacities	
Fuel	24 L