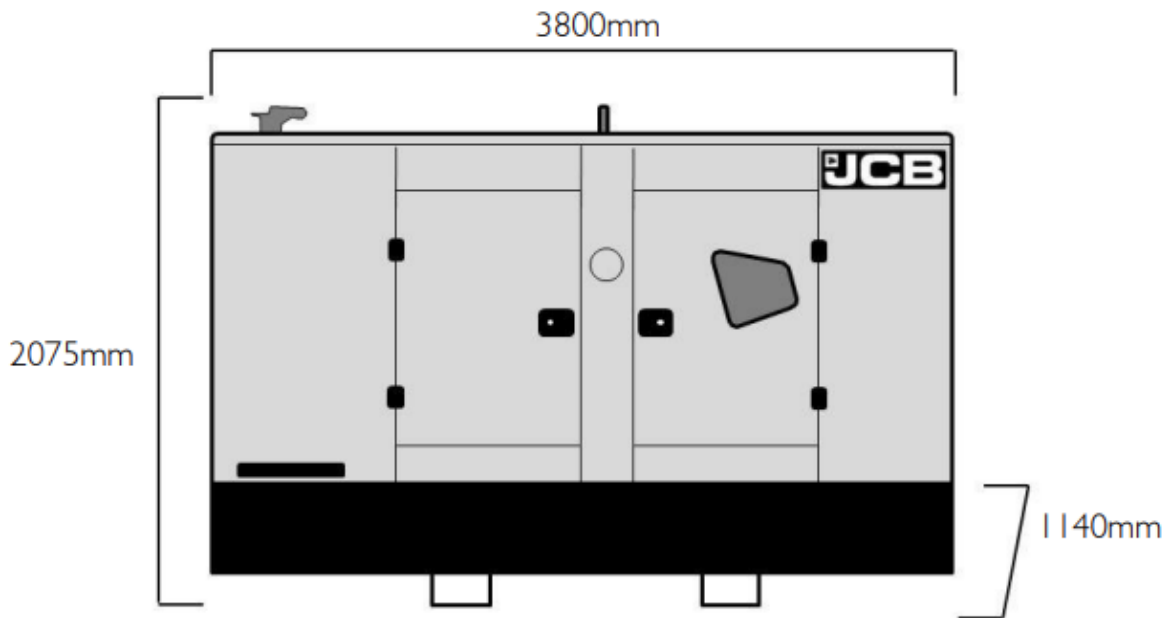




**DIESEL GENERATOR**

**STAGE IIIA**



ELECTRICAL							
Frequency (Hz)	Phases	Voltage	Prime		Standby		Rated Speed (RPM)
			kVa	kW	kVA	kW	
50	3	400 / 230V	200	160	220	176	1500
60	3	380 / 220V	N/A	N/A	N/A	N/A	1800
60	3	220 / 127V	N/A	N/A	N/A	N/A	1800

Canopy / Skid	
Lockable Maintenance Access Doors	●
Control Panel Viewing Window	●
Fork Pockets	Δ
Single Lift Point	Δ
Bunding	●
Open Frame	X
High Density Fire Retardant Foam	●
Yellow Paint	●
White Paint	Δ
Four Point Lift (non CE)	Δ
Standard: ●      Not Available: X      Optional: Δ	

Alternator ECO38-254 A	
Poles	4
Winding Connections	Star
Insulation	Class H
Enclosure	IP23
Exciter System	Self-regulating brushless
Voltage Regulator	AVR
Steady State Voltage Regulation	+ / - 1.0%
Bearing	Single bearing sealed
Coupling	Flexible disc
Cooling	Direct drive centrifugal blower fan
Coating	Winding Protection Grey

Starting System		
Starter Motor	kW	4.00
Battery Capacity	Ah	110
Auxiliary Voltage	V	24

ENGINE		
<b>1500 RPM</b>		
Output Rating (PRP)	kW	187
Output Rating (Standby)	kW	205
<b>1800 RPM</b>		
Output Rating (PRP)	kW	187
Output Rating (Standby)	kW	205
Manufacturer and Model		
Fuel		
Injection		
Aspiration		
Cylinders		
Bore and Stroke	mm	
Displacement	L	
Cooling		
Engine Oil Specification		
Compression Ratio		
Engine Oil Capacity	L	
Coolant Capacity	L	
Governor		
Air Filter		
Engine Oil Consumption	100% Load	

Fuel System		
Diesel Specification		EN590
Standard Fuel Tank Capacity	L	360

### Exhaust System

Maximum Temperature 100% Standby	°C	50 Hz	563.00
Exhaust Gas Flow 100% Standby	M <sup>3</sup>		TBC
Maximum Allowed Back Pressure	Mbar		40.18
Maximum Temperature 100% Standby	°C	60 Hz	N/A
Exhaust Gas Flow 100% Standby	m <sup>3</sup> /min		N/A
Maximum Allowed Back Pressure	Mbar		N/A
Exhaust Flange Size	mm	N/A	

### Air System

Intake Air Flow 100% Standby	Kg/H	50Hz	651.00
Total Cooling Air Flow 100% Standby (@ 13mm H2O Canopy Depression)	M <sup>3</sup> /s		7.20
Alternator Fan Airflow	M <sup>3</sup> /s		0.53
Intake Air Flow 100% Standby	Kg/h	60Hz	N/A
Total Cooling Air Flow 100% Standby (@ N/A mm H2O Canopy Depression)	Kg/h		N/A
Alternator Fan Airflow	M <sup>3</sup> /s		N/A

### Mechanical Features

Cooling Pack	●	
Air Filter	●	
Mechanical Governor	X	
Electronic Governor	●	
Low Oil Pressure Switch	●	
Coolant Temperature Switch	Δ	
Low Oil Pressure Sensor	Δ	
Oil Temperature Switch	X	
Radiator Guards	●	
Hot Component Guards	●	
Manual Oil Drain Pump (canopy)	Δ	
Water Jacket Heater	Δ	
Pre-Filter with Separator	●	
Mechanical Fuel Level Indicator (non CE Only)	X	
Internal Fuel Fill (Belly Tank)	●	
3 Way Fuel Valve with Quick Connector	Δ	
Residential Silencer	●	
Industrial Silencer	X	
Door Stops	Δ	
Canopy Bump Stops	Δ	
Bunded Base	●	
Gravity Oil Drain Pipe	Δ	
Larger Fuel Filler Neck	Δ	
Standard: ●	Not Available: X	Optional: Δ

### Fuel Consumption

100% Load Prime	L/H	50 Hz	42.95
75% Load Prime	L/H		35.13
50% Load Prime	L/H		23.96
100% Load Standby	L/H		47.00
100% Load Prime	L/H	60 Hz	N/A
75% Load Prime	L/H		N/A
50% Load Prime	L/H		N/A
100% Load Standby	L/H		N/A

### JCB Communication and Control

DSE 4510	X
DSE 4520	●
DSE 7320	Δ
DSE 8610	Δ
Live Link for Power	●

### Weight and Dimensions

Length	3800 mm
Width	1140 mm
Height	2075 mm
Shipping Volume (sea ready)	9 m <sup>3</sup>
Weight	2700 kg

### Standard CE Pack

EMC Certification	●	
Hot Guards	●	
Belt Guards	●	
Earth Leakage Relay	●	
Sound Power Decal	●	
EU Declaration for Engine Emissions	●	
Complete Machine Declaration of Conformity	●	
Standard: ●	Not Available: X	Optional: Δ

### Battery Features

Battery Isolator	Δ	
Battery type (optional)	Sealed Lead Acid	
Battery size (Ah)	110	
Number of Batteries	2	
Battery charger	Δ	
Standard: ●	Not Available: X	Optional: Δ

### Mechanical Features

AVR DSR	●
AVR DER	X
Winding Protection Standard	X
Winding Protection Standard +	X
Winding Protection Grey	●
Winding Protection Total	X
Winding Protection Total +	X
MAUX	●
PMG	X
Anti-Condensation Heater	Δ
3 Pole Moulded Case Circuit Breaker	●
4 Pole Moulded Case Circuit Breaker	Δ
Earth Leakage Protection (Shunt Trip)	●
Preparation for Earth Connection	●
Synchronisation	Δ
Emergency Stop Button	●
External Emergency Stop Button	●
Fuel Level Sensor	●
1 x 32A 3 Phase 1x1 6A I Phase Socket Box	X
1 x 63A 3 Phase 3x32A I Phase Socket Box	X
1 x 63A 3 Phase 3x32A I Phase 2x16A I Phase Socket Box	X
1 x 32A 3 Phase 2x16A I Phase Socket Box	X
1 x 125A 3 Phase 1x63A 3 Phase 3x32A 3 Phase 3x32A I Phase Socket Box	Δ
Standard: ●      Not Available: X      Optional: Δ	

### Reference Standards

JCB Generators are CE certified and conform to the following Directives (subject to a country requiring such standard):

- EN 12100, EN131857, EN60204
- 2006/42/CE Machinery safety
- 2006/95/EC Low Voltage
- 2004/108/CE Electromagnetic compatibility
- 2000/14/EC Sound Power Level (amended by 2005/88/EC)
- 97/68/EC Emissions (amended by 2002/88/EC & 2004/26/EC)
- Power according to ISO 8528 and ISO 3046
- Ambient reference conditions 100mbar, 25°C, 30% relative humidity ISO3046

Information based on standard specification equipment unless otherwise stated.

